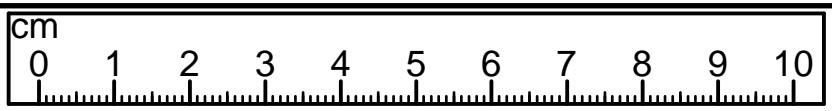
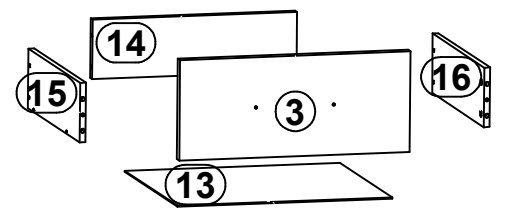


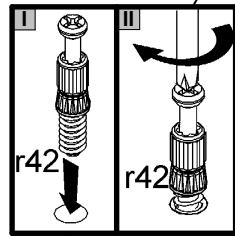
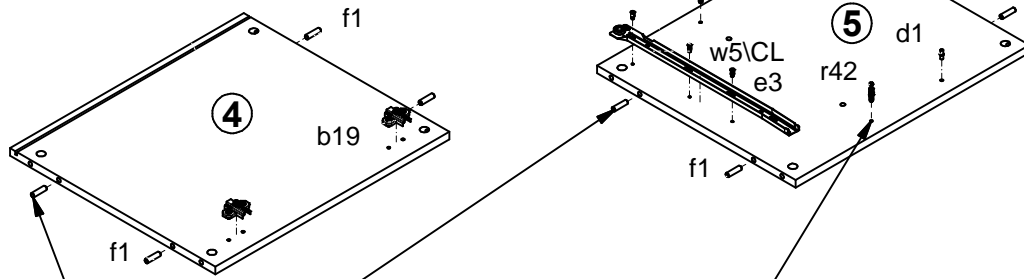
§1

| A  | B        | C (mm) |     | D   |
|----|----------|--------|-----|-----|
| 1  | S331-003 | 520    | 474 | 2/2 |
| 2  | S331-004 | 520    | 474 | 2/2 |
| 3  | S331-005 | 474    | 203 | 2/2 |
| 4  | S331-103 | 526    | 462 | 1/2 |
| 5  | S331-105 | 526    | 446 | 1/2 |
| 6  | S331-106 | 526    | 446 | 1/2 |
| 7  | S331-203 | 1430   | 483 | 1/2 |
| 8  | S331-204 | 1430   | 500 | 1/2 |
| 9  | S331-303 | 469    | 446 | 1/2 |
| 10 | S331-304 | 468    | 445 | 1/2 |
| 11 | S331-903 | 536    | 462 | 1/2 |
| 12 | S331-904 | 210    | 485 | 1/2 |
| 13 | S331-905 | 442    | 405 | 1/2 |
| 14 | ZS3-5535 | 420    | 120 | 1/2 |
| 15 | ZS4-503  | 400    | 120 | 1/2 |
| 16 | ZS4-504  | 400    | 120 | 1/2 |

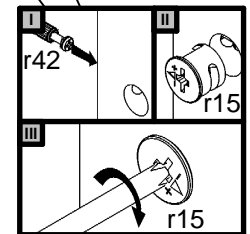
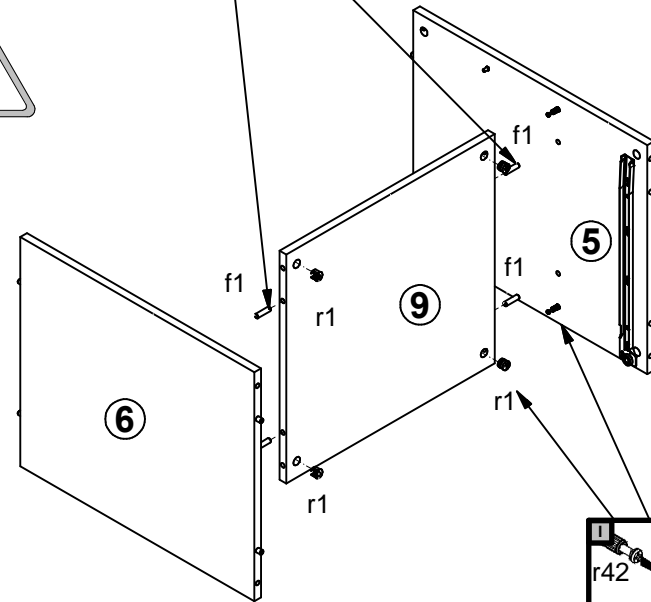
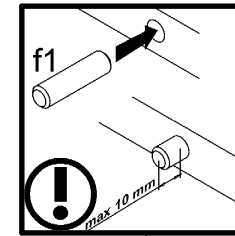
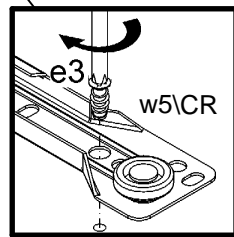
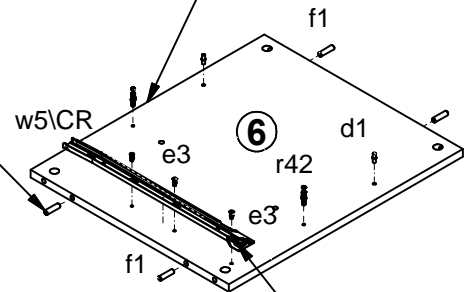


|                      |                            |                              |                      |                       |                       |                       |                         |                      |           |           |                         |                         |
|----------------------|----------------------------|------------------------------|----------------------|-----------------------|-----------------------|-----------------------|-------------------------|----------------------|-----------|-----------|-------------------------|-------------------------|
| 4x<br>a44            | 4x<br>b19                  | 3x<br>c193<br>160 mm         | 4x<br>d1<br>∅5x17 mm | 4x<br>e19<br>∅5x9 mm  | 6x<br>e3<br>∅6x13 mm  | 20x<br>f1<br>∅8x30 mm | 4x<br>f25<br>∅6.5x40 mm | 2x<br>f9<br>∅6x30 mm | 6x<br>k43 | 25x<br>l1 | 3x<br>p38<br>∅3.5x16 mm | 8x<br>p51<br>∅3.5x15 mm |
| 6x<br>p9<br>∅4x30 mm | 20x<br>r1<br>∅15x12 mm #16 | 4x<br>r15<br>∅12x10.5 mm #12 | 24x<br>r42           | 1x<br>w5\CL<br>400 mm | 1x<br>w5\CR<br>400 mm | 1x<br>w5\DL<br>400 mm | 1x<br>w5\DR<br>400 mm   | 12x<br>s2<br>∅16     | 14x<br>i2 |           |                         |                         |

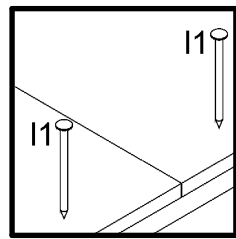
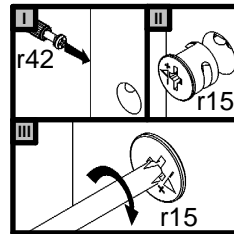
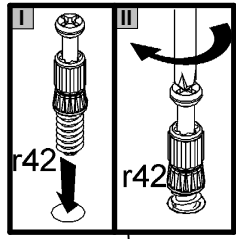
**1** 



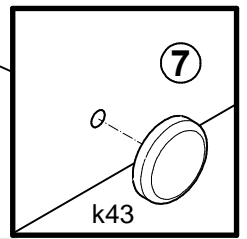
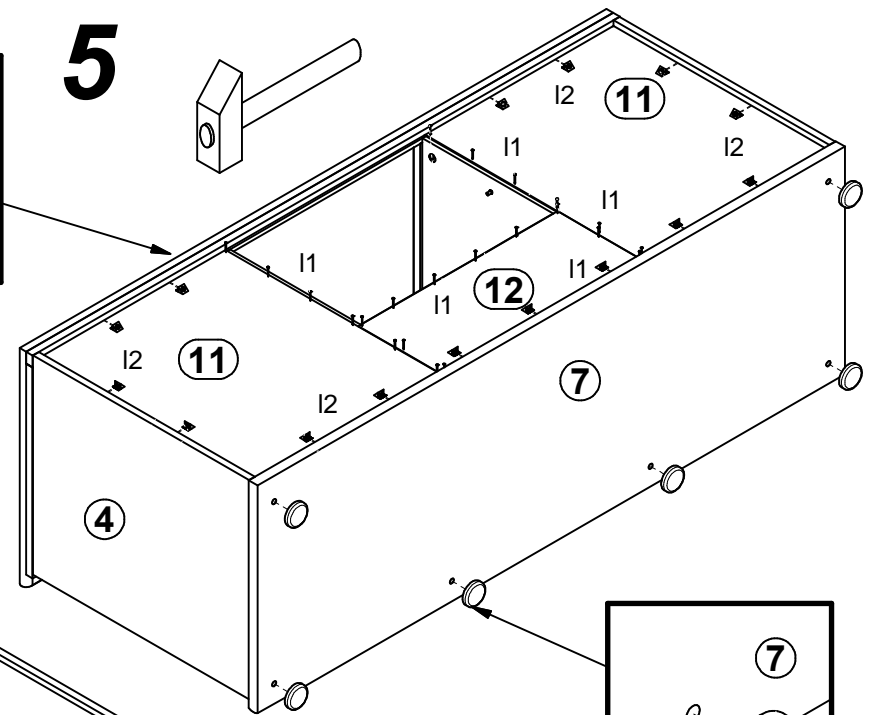
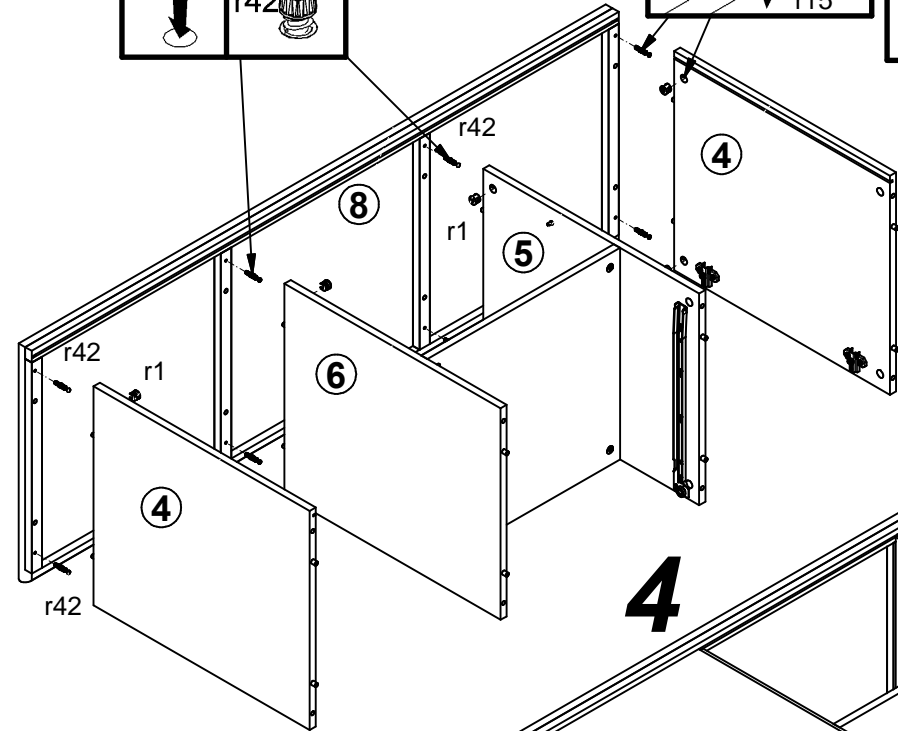
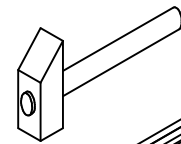
**2** 



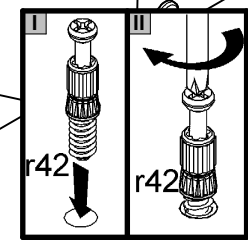
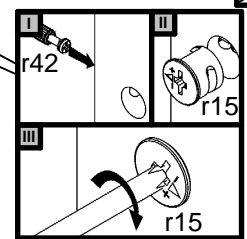
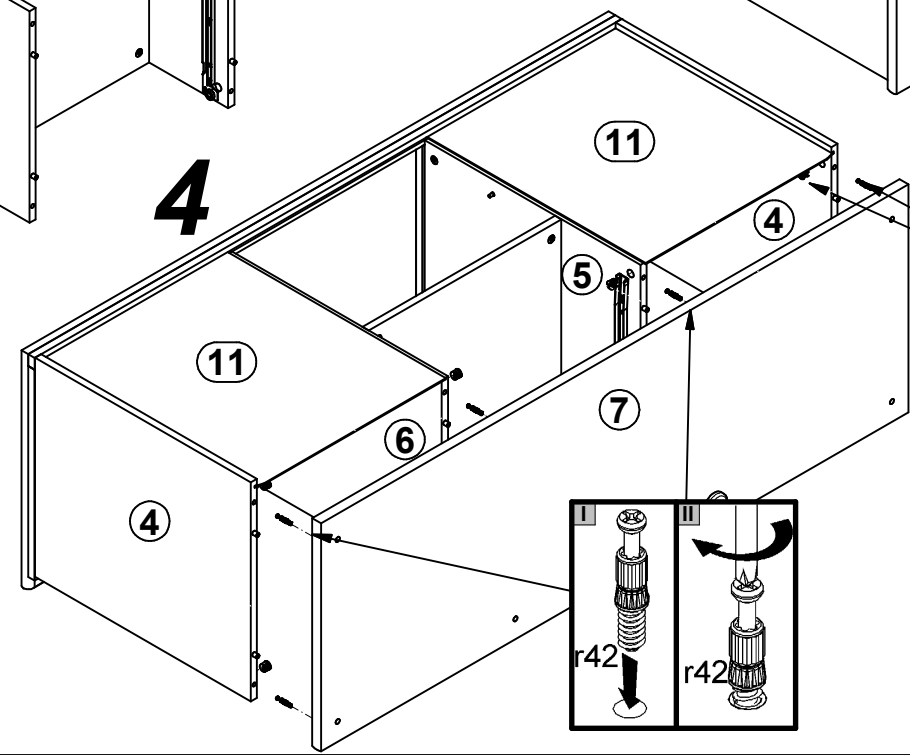
3



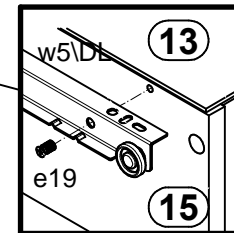
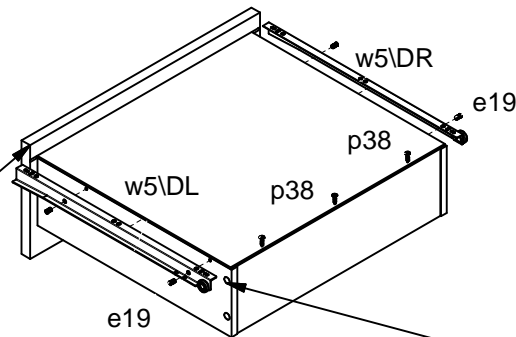
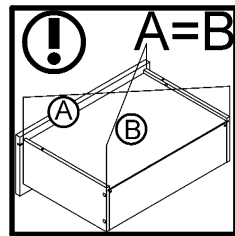
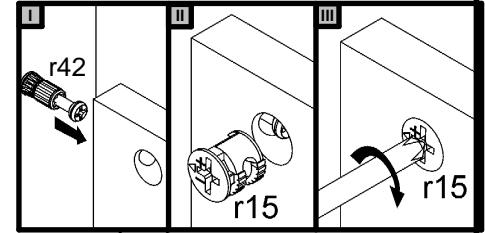
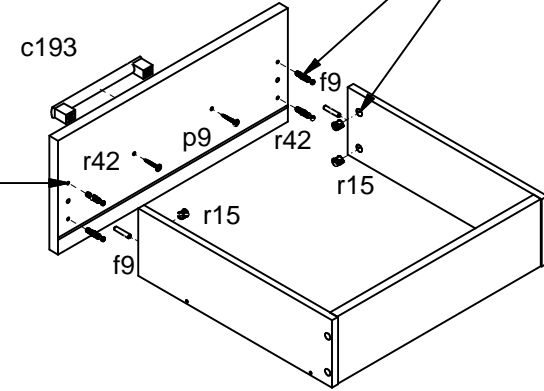
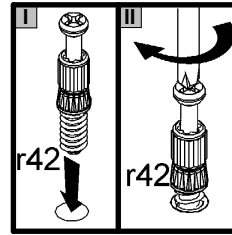
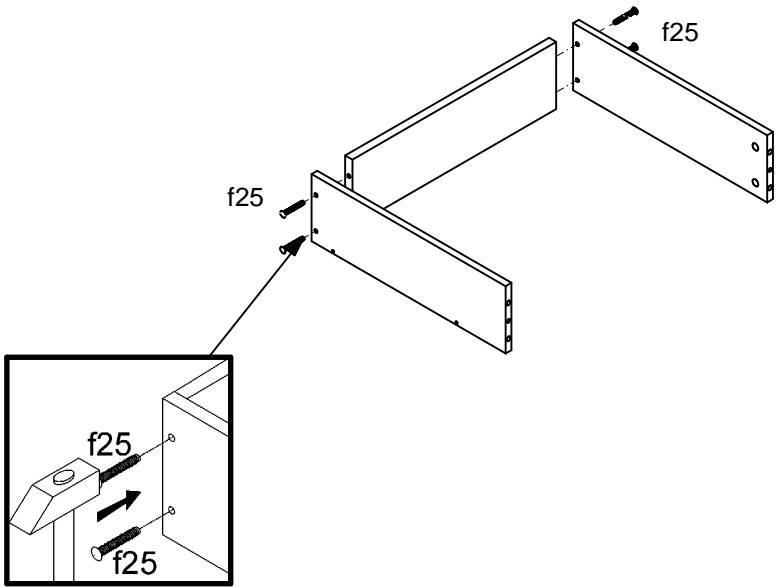
5



4



5



# 6

