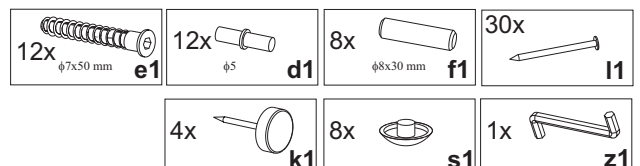
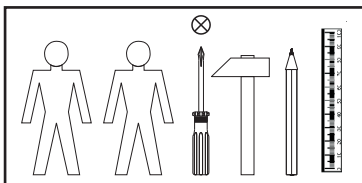
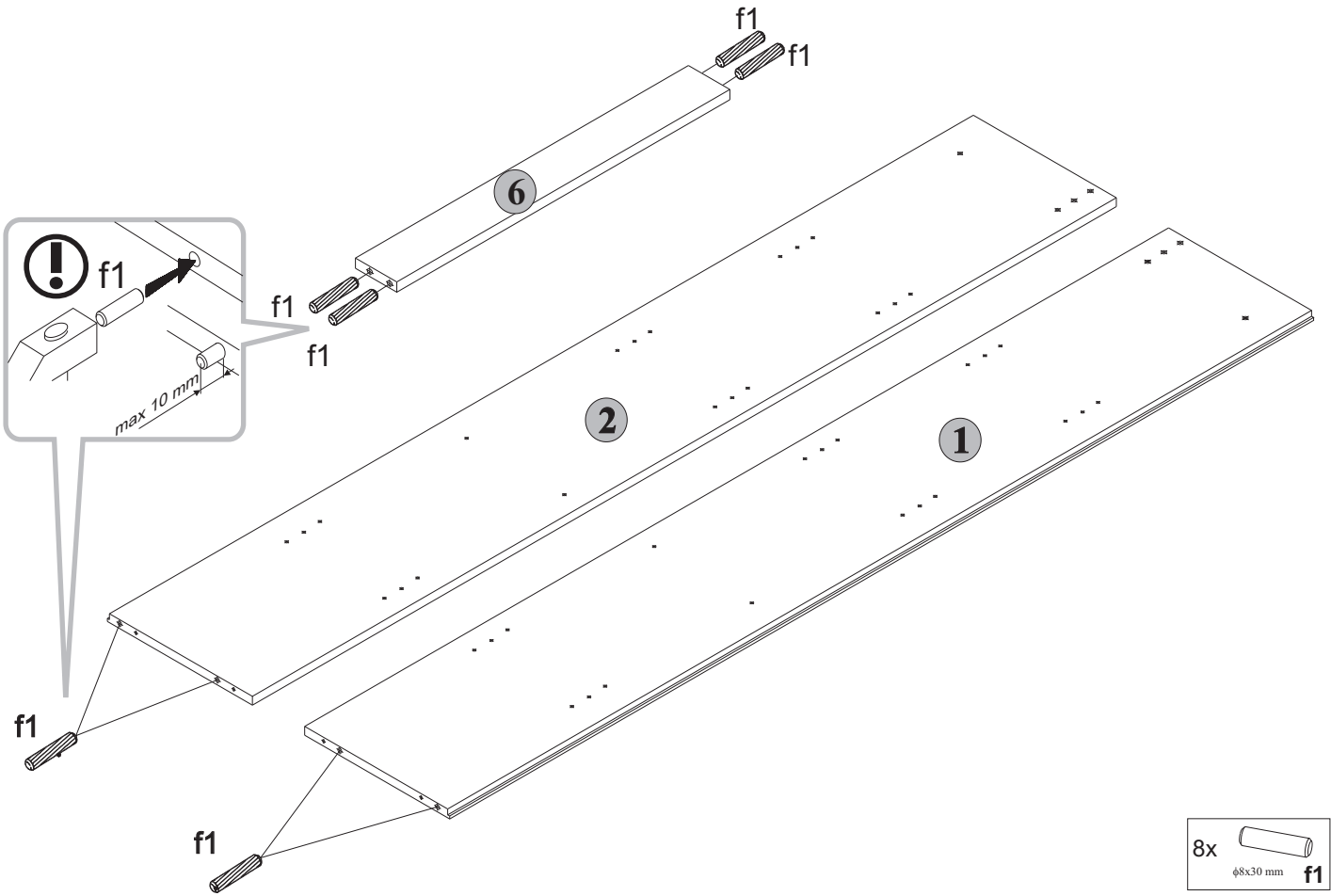


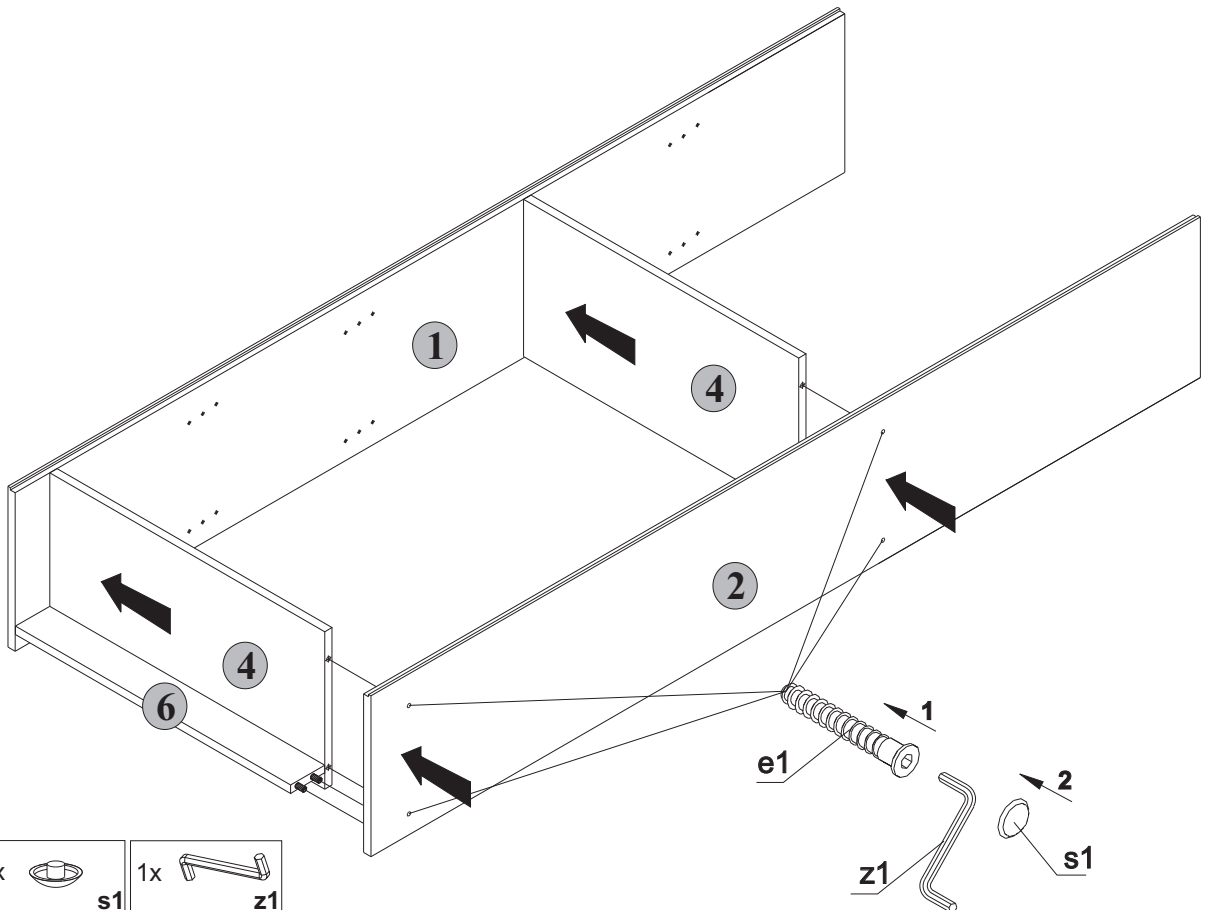
A	B	C	D
1	S19-133/B	1698x285	1/1
2	S19-134/B	1698x285	1/1
3	S19-212	595x292	1/1
4	S19-323	561x279	1/1
5	S19-324	560x279	1/1
6	S19-414	561x70	1/1
7	S19-926	1636x577	1/1



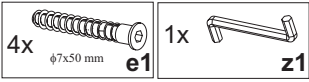
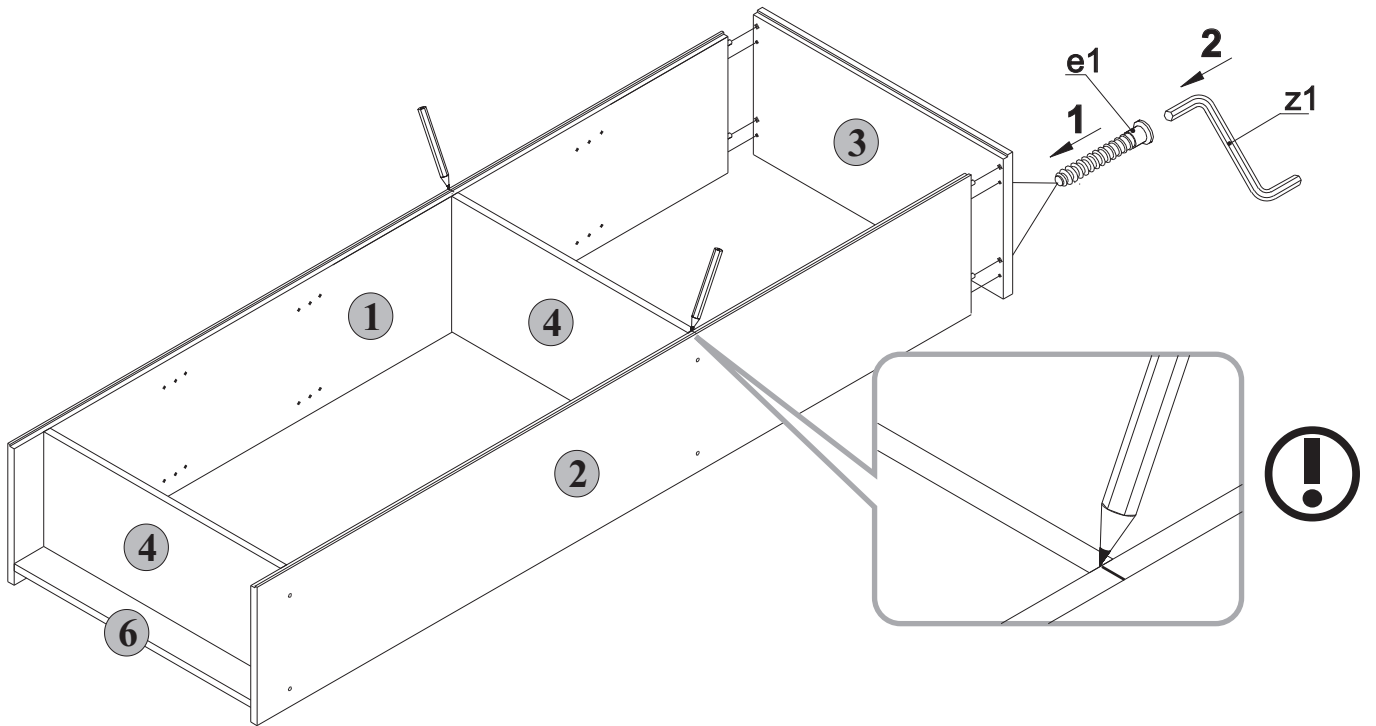
1



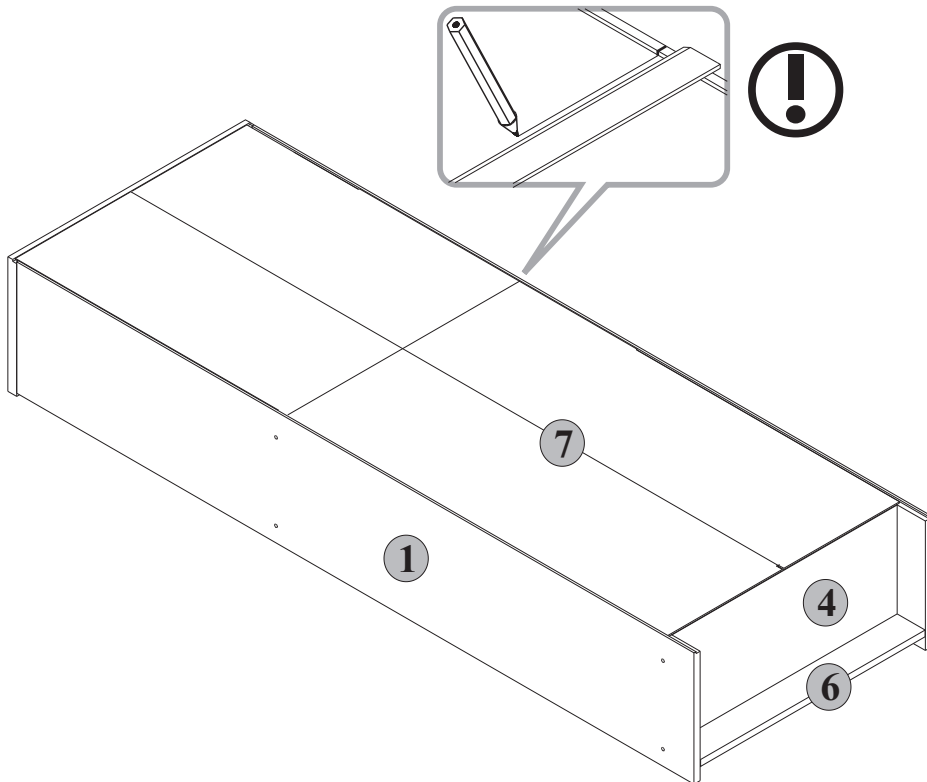
2



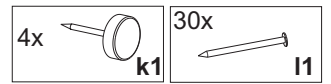
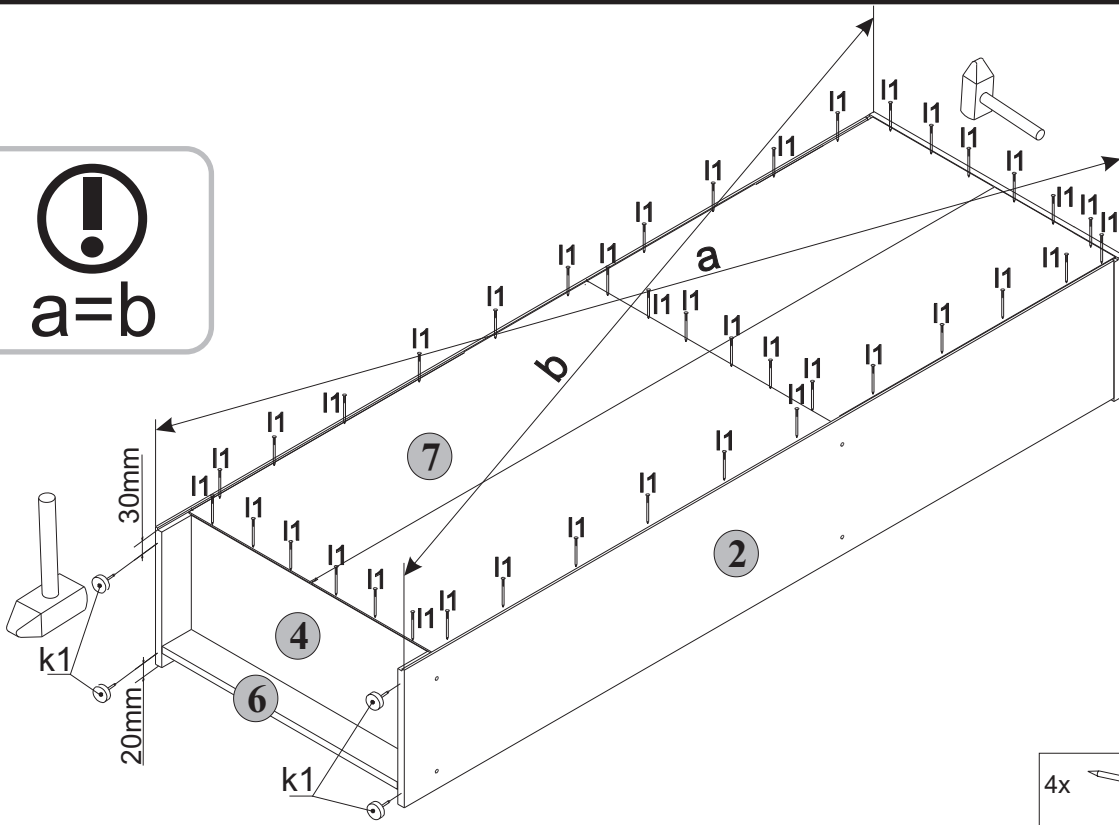
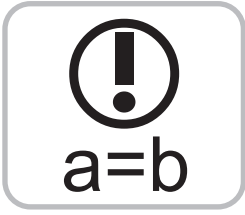
3



4



5



6

