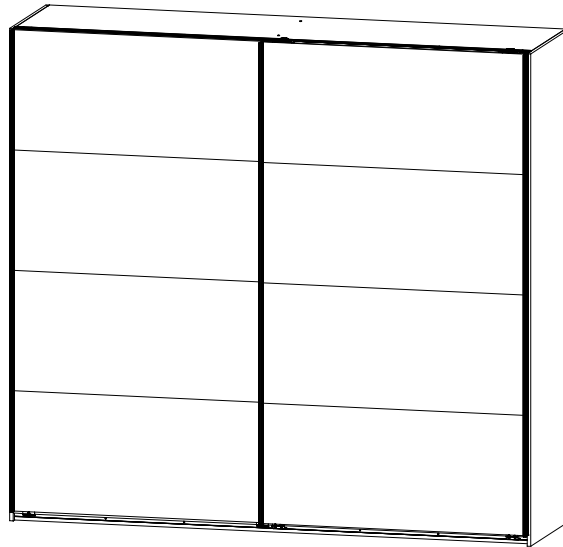
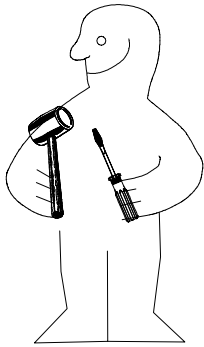
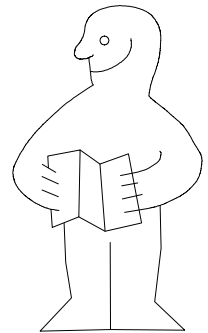
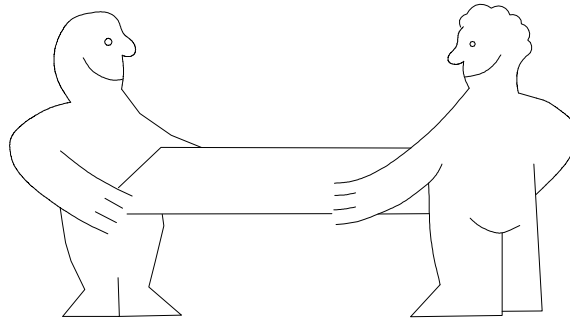
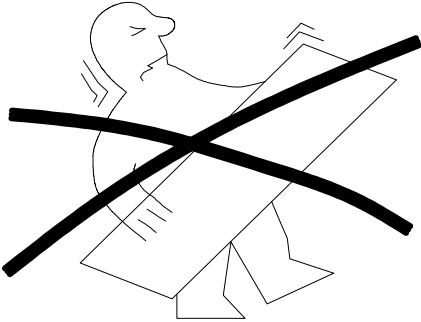


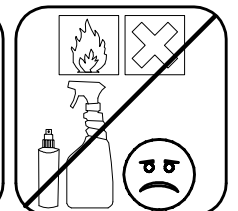
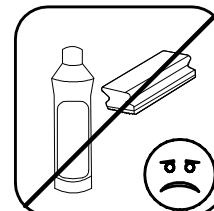
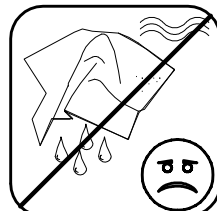
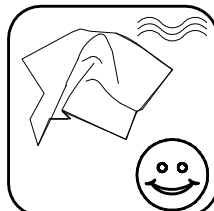
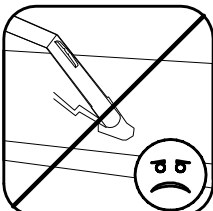
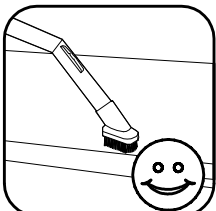
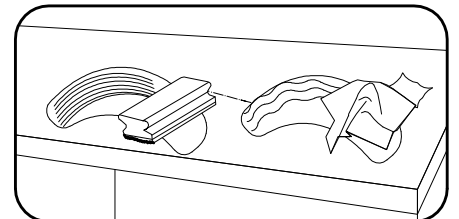
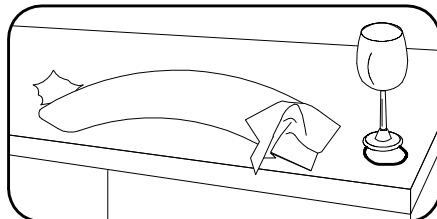
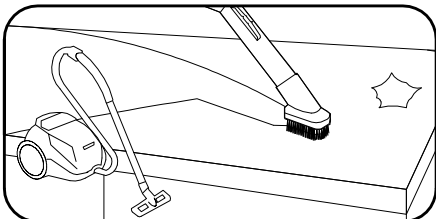
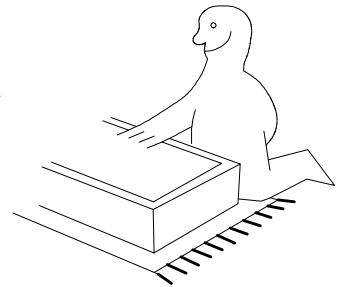
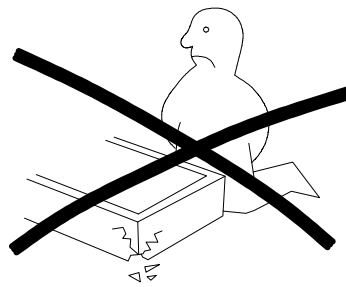
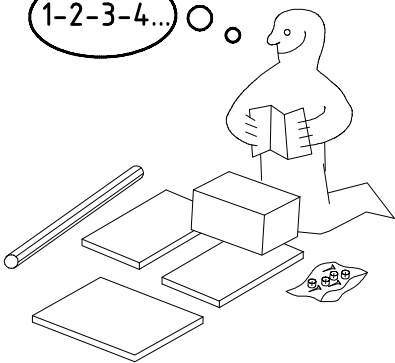
980864



H 225 1MS



1-2-3-4...

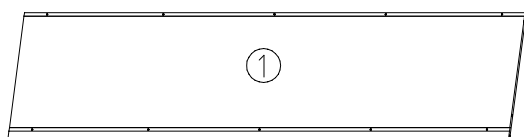
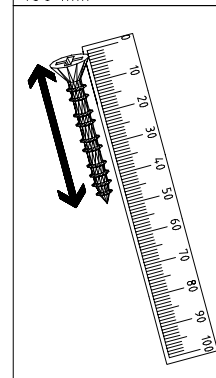
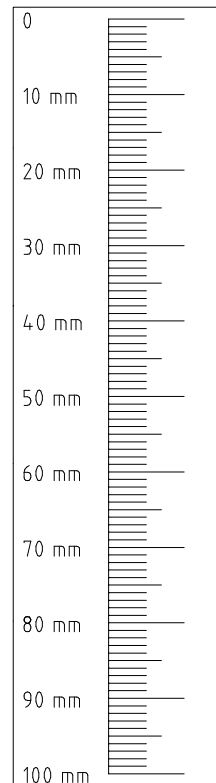
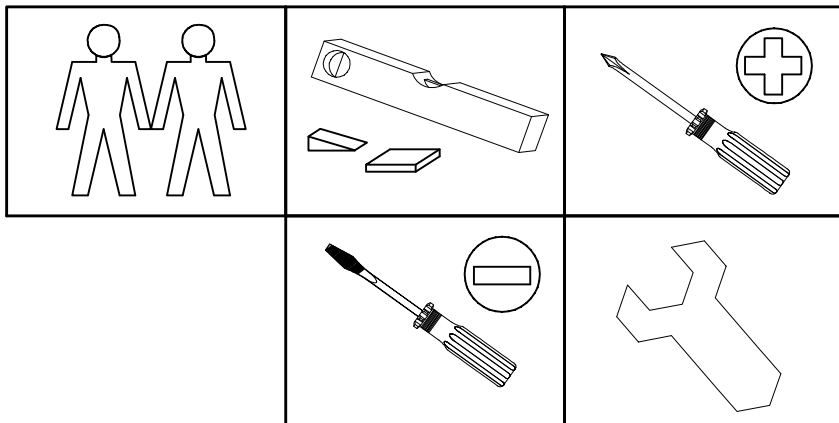


980864

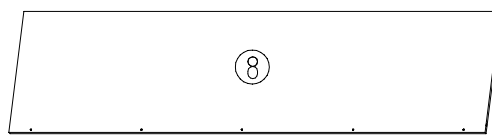
12.12.12 / 05.09.16

09 16

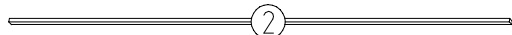
1/15



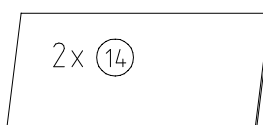
2205x560x15



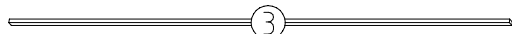
2205x560x15



2204x32x15

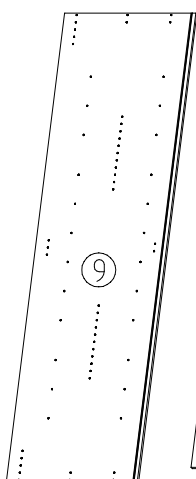


2x 14

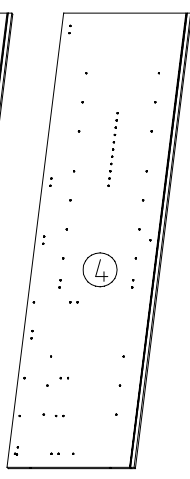


2204x32x15

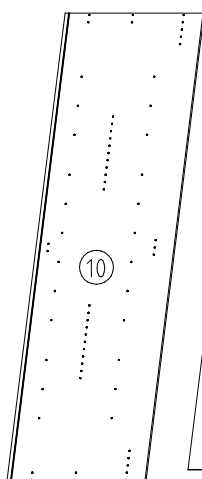
1095x500x18



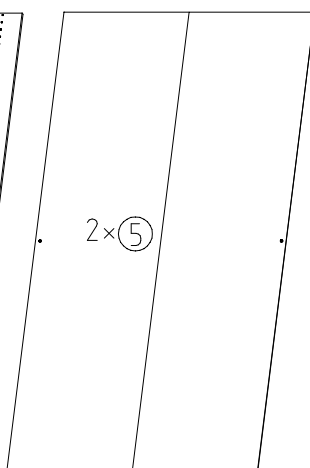
2064x577x15



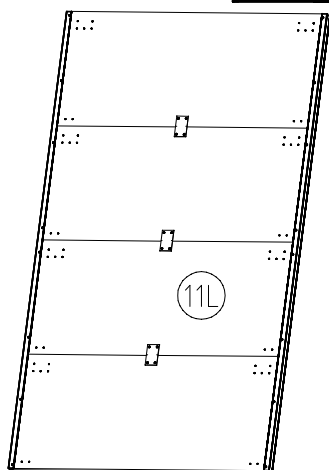
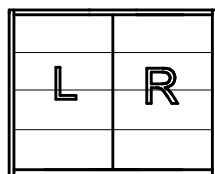
2001x560x15



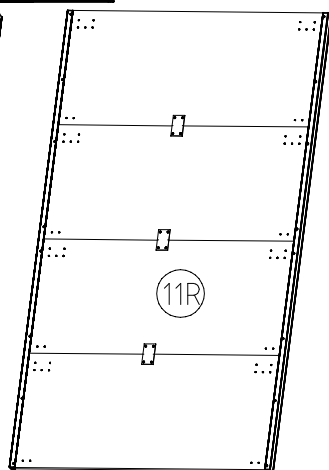
2064x607x15



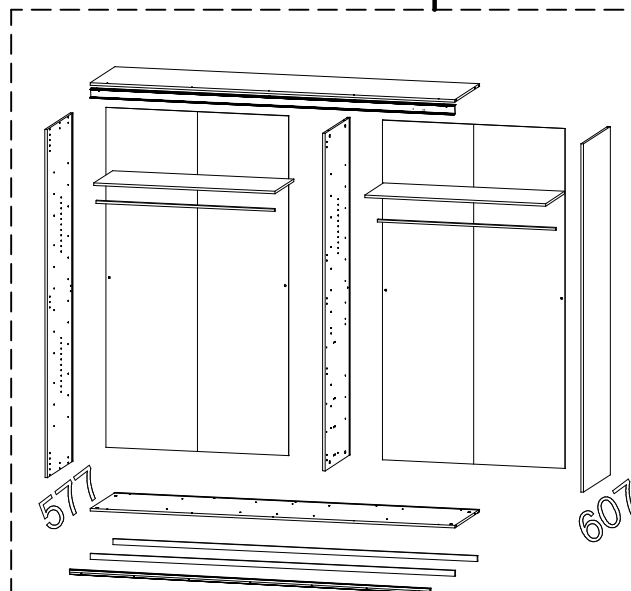
2015x1104x2,5



2018x1135x15



2018x1135x15

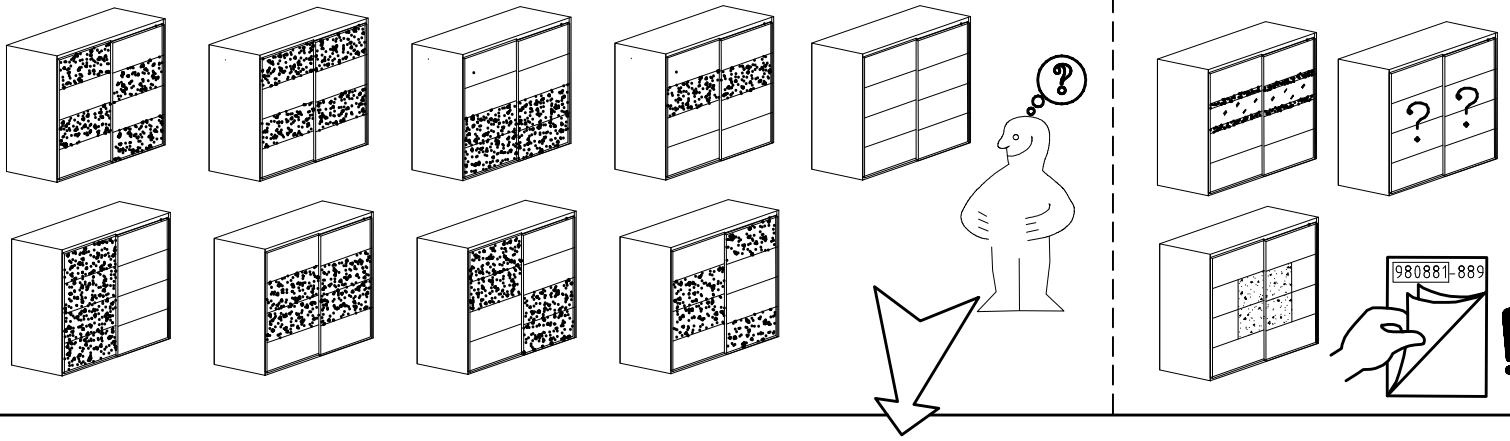


980864

12.12.12 / 05.09.16

09 16

2 / 15



1x **FPN**
 1316/1760
 2204/2648/3092/3536

1x **LP**
 1316/1760
 2204/2648/3092/3536

| | | |
|--|--------------|----|
| | SWH1 | 2x |
| | SWH2 | 1x |
| | SWH3 | 1x |
| | SWH-D | 1x |

| | | |
|--|----------------|----|
| | SWH 6 | 2x |
| | SWH 7 | 2x |
| | SWH-SKL | 1x |
| | SWH-SKR | 1x |

| | | |
|--|------------------|-----|
| | SWH-ST | 2x |
| | SWH-MS | 2x |
| | 6,3 x 10,5 mm T2 | 24x |
| | 114 183 | 6x |

| | | |
|--|----------------------------|-----|
| | SP13 4 X 13mm | 65x |
| | 121 122 3,5 x 22 mm G24 | 9x |
| | 121 004 M4 x 13 mm GH13 | 5x |
| | 121 xxx M4 x 10 mm G43 | 5x |

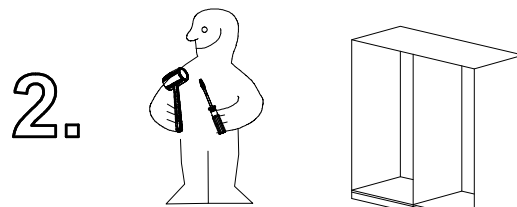
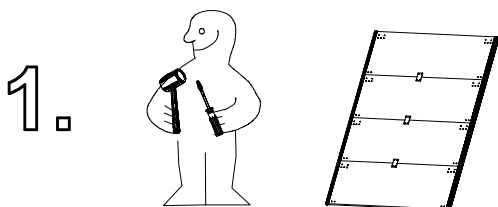
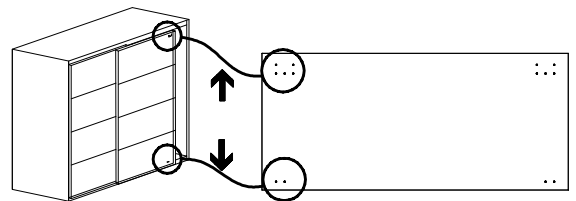
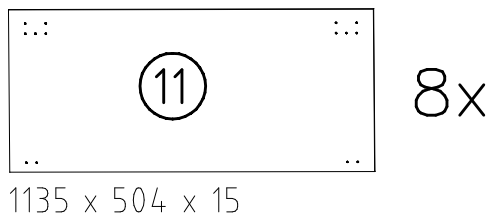
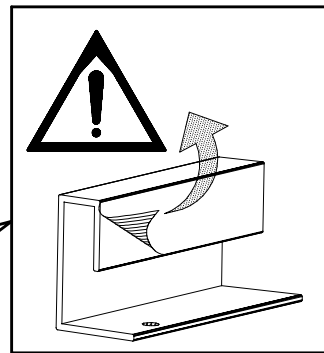
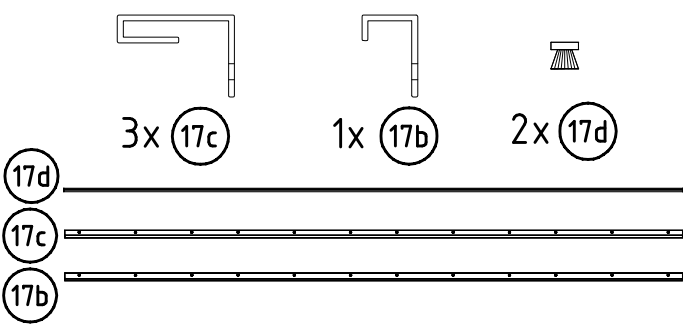
| | | |
|--|----------|-----|
| | A | 12x |
| | C | 12x |

| | | |
|--|----------------------|----|
| | M6 x 11 mm T6 | 4x |
| | 121 181 J1 | 4x |

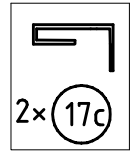
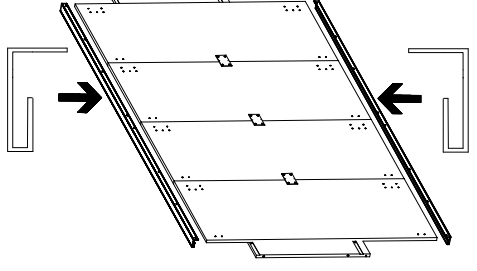
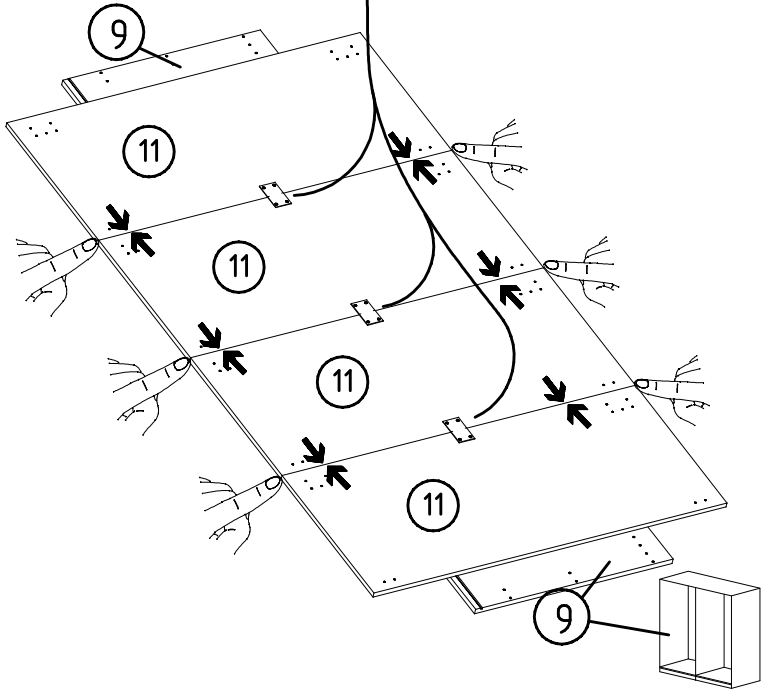
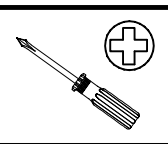
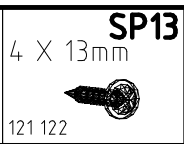
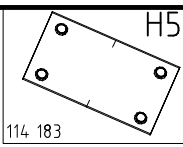
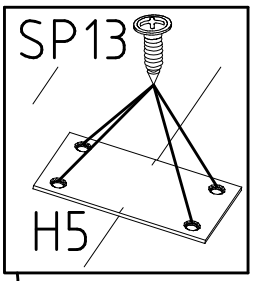
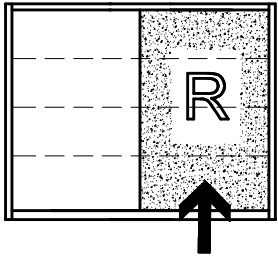
| | | |
|--|----------------------|----|
| | 111 610 L7 | 8x |
| | 117 001 K1 | 4x |

| | | |
|--|----------------------------|-----|
| | 121 375 3,5 x 35 mm G14 | 10x |
| | 121 370 3,5 x 15 mm G1 | 8x |

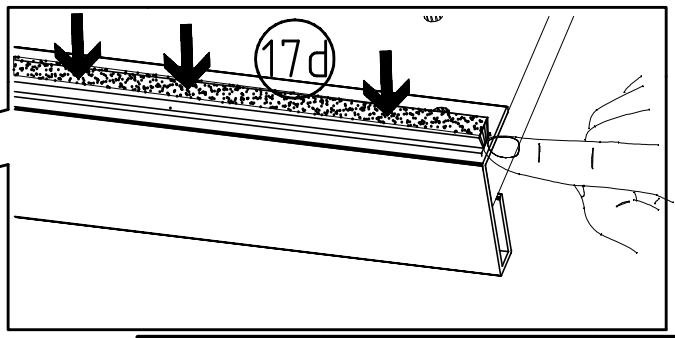
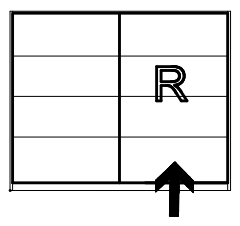
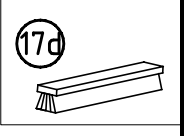
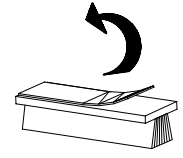
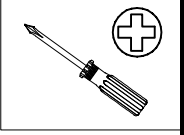
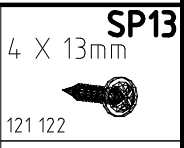
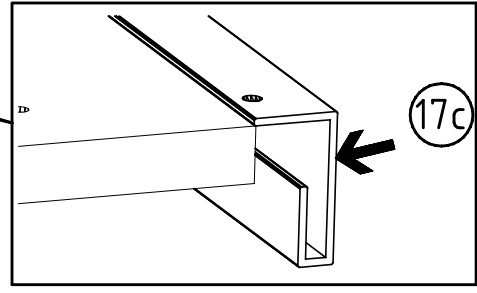
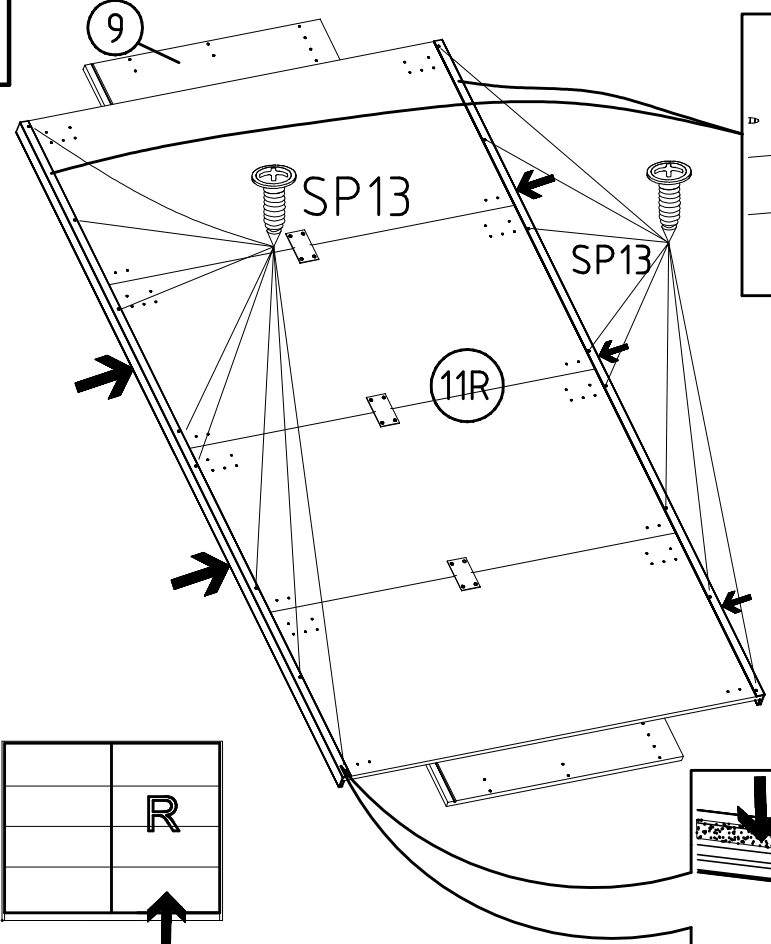
| | | |
|--|-----------------------|----|
| | 112 404 K22 | 2x |
|--|-----------------------|----|



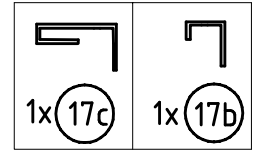
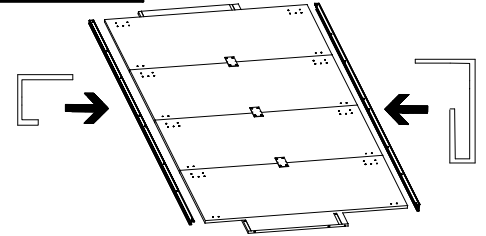
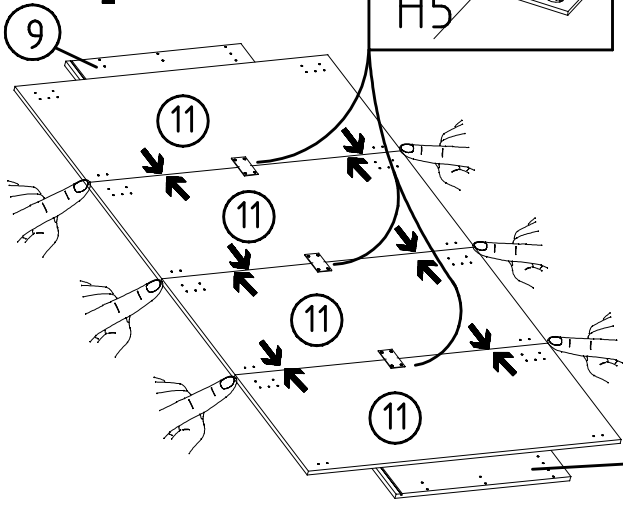
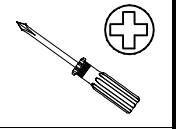
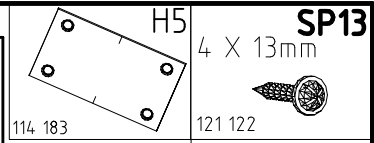
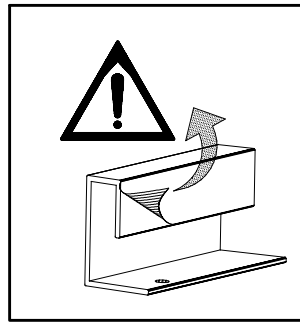
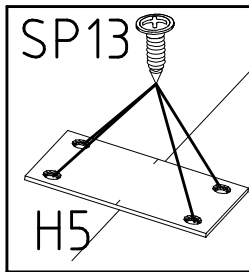
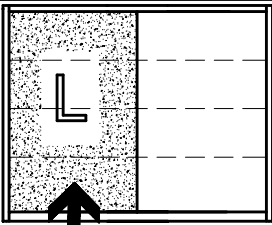
1



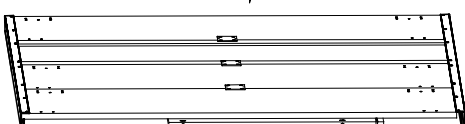
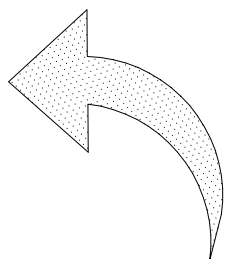
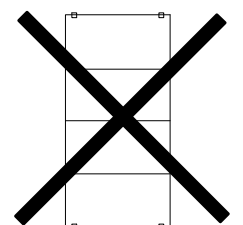
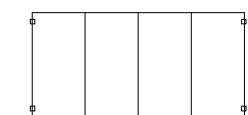
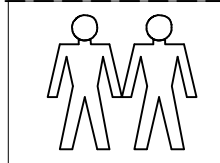
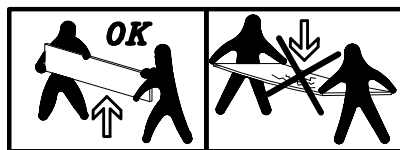
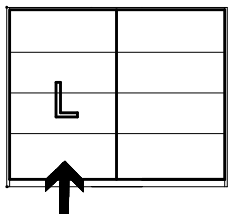
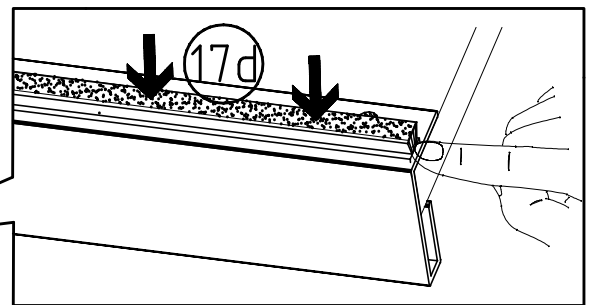
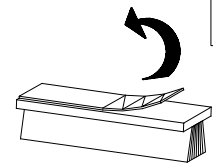
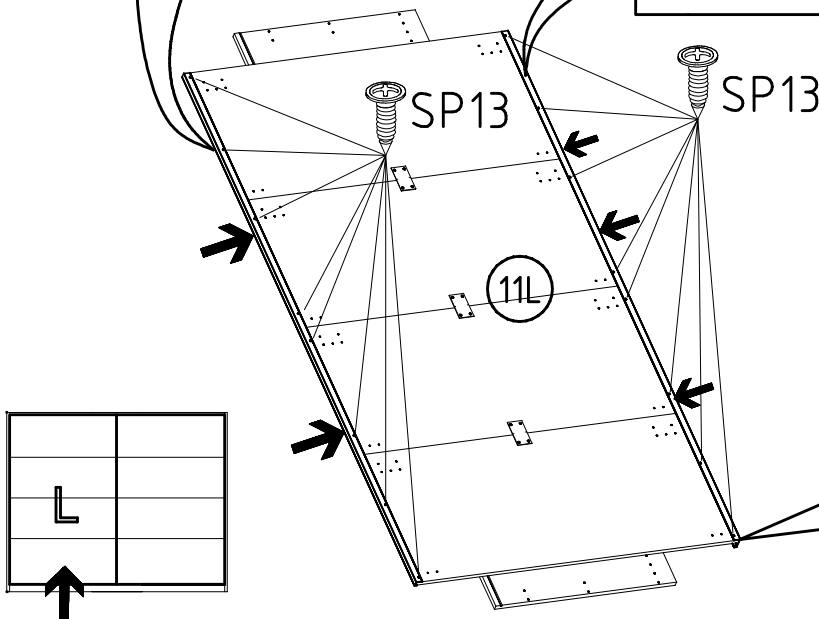
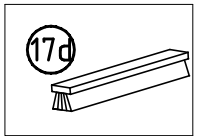
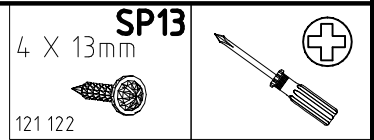
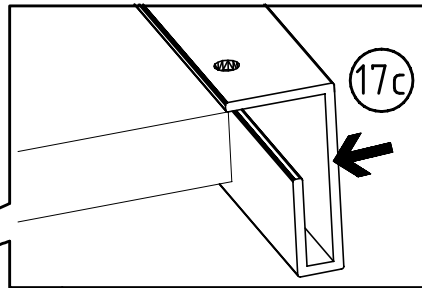
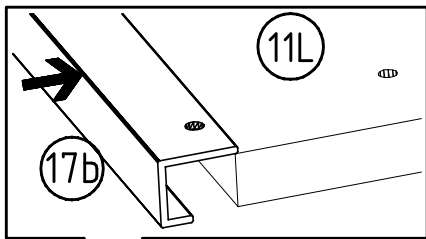
2



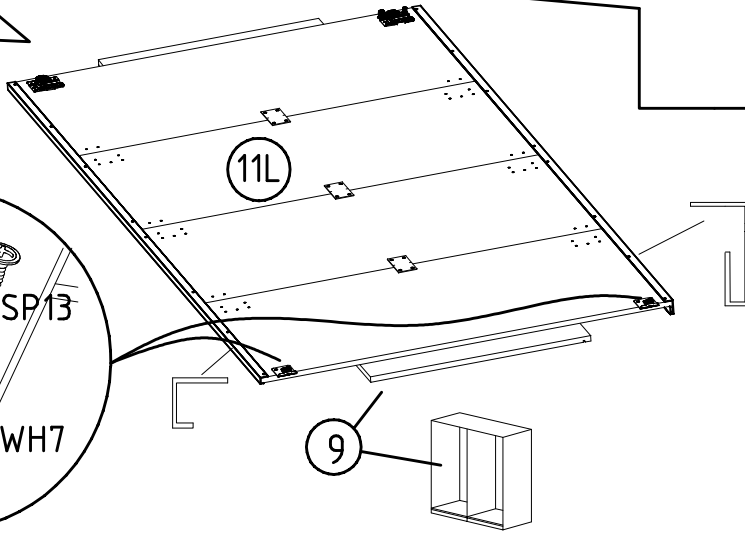
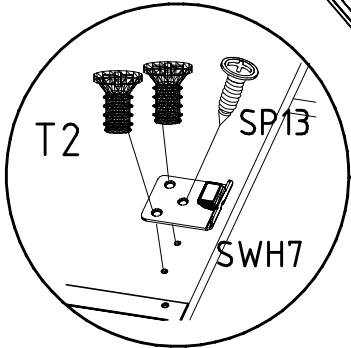
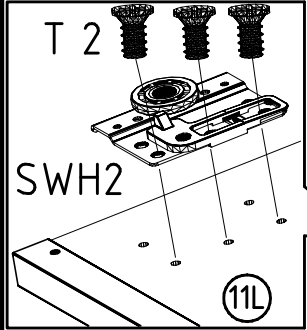
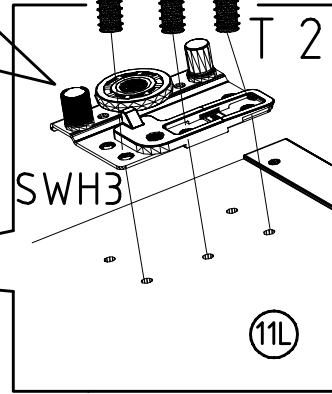
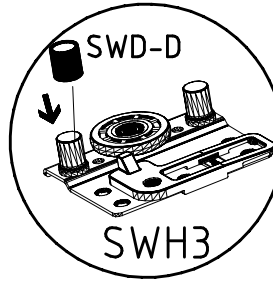
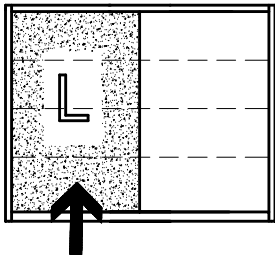
3



4



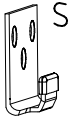
5



SWH2



SWH3



SWH7

SWH-D



6,3 x 10,5 mm T2



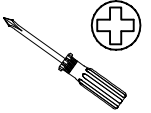
111.030

SP13

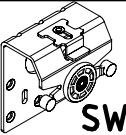
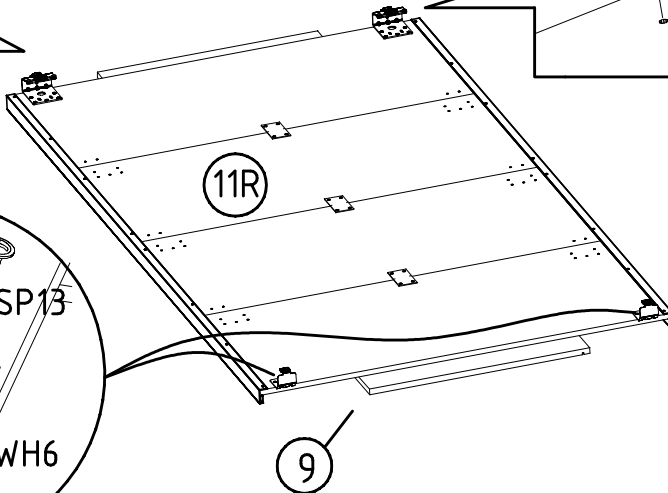
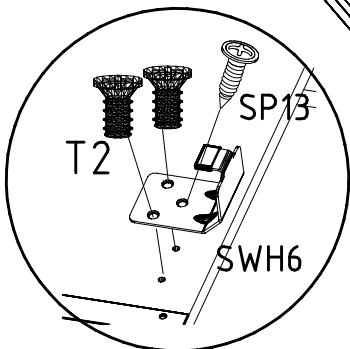
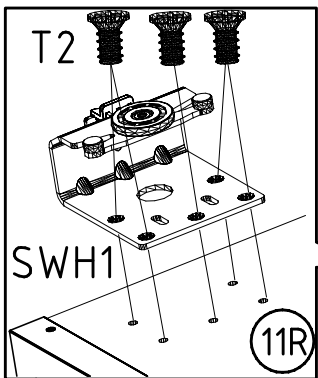
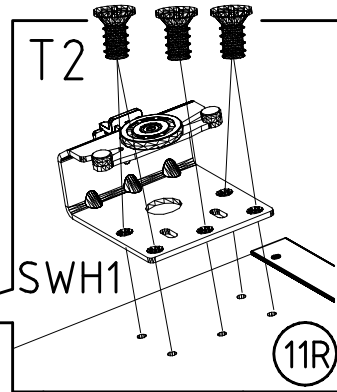
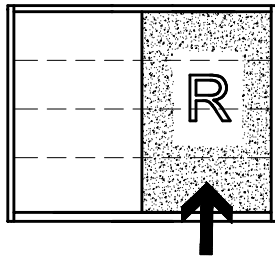
4 X 13mm



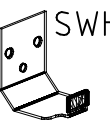
121 122



6



SWH1



SWH6

6,3 x 10,5 mm T2



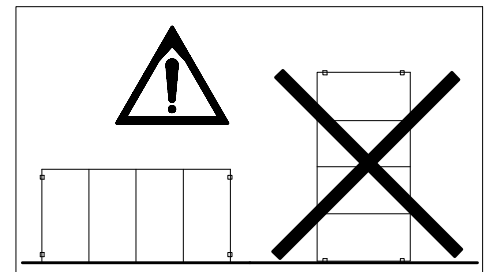
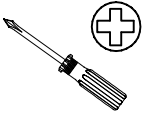
111.030

SP13

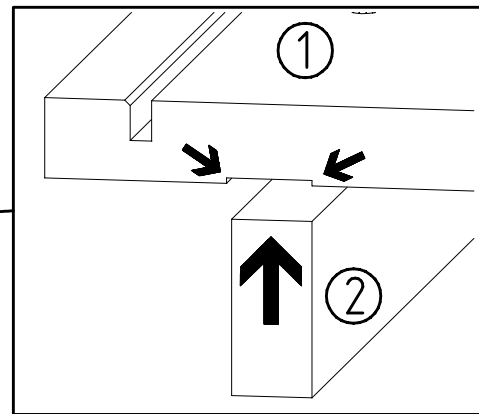
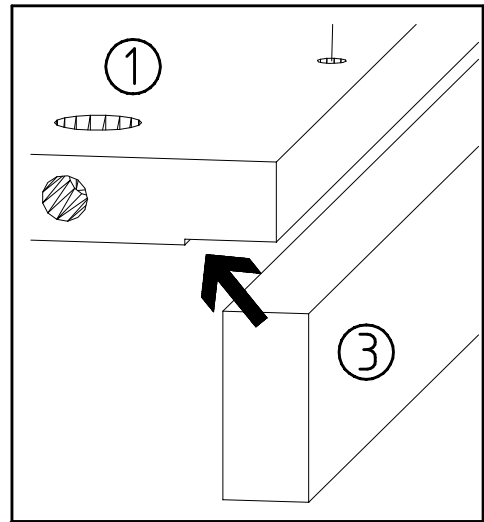
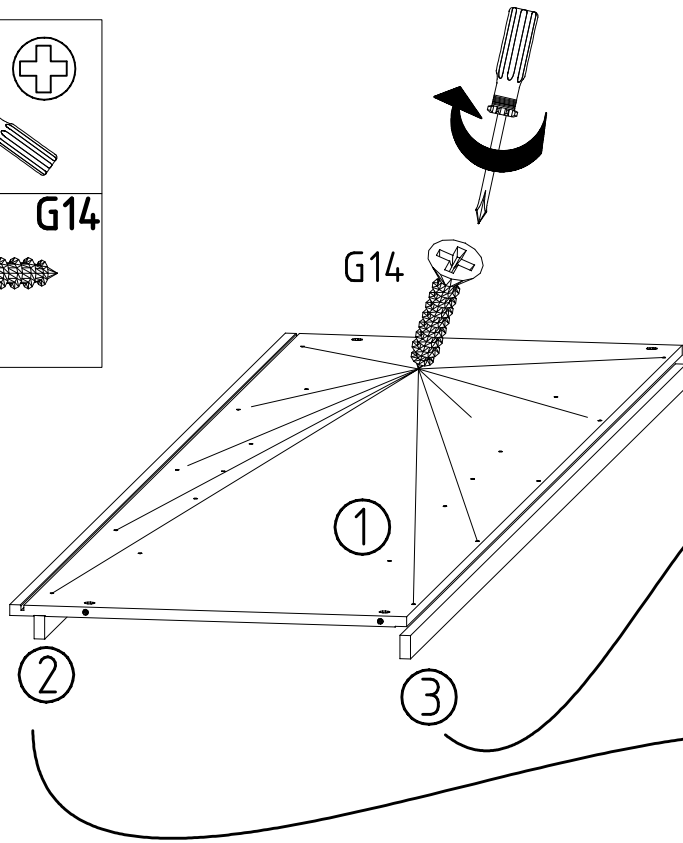
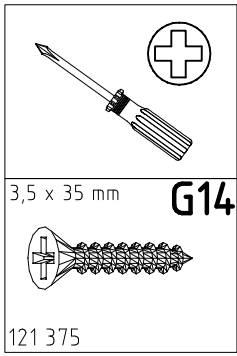
4 X 13mm



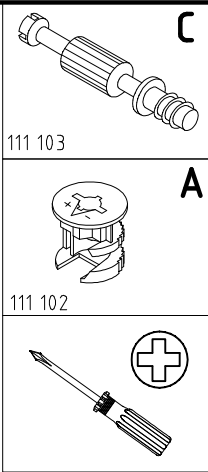
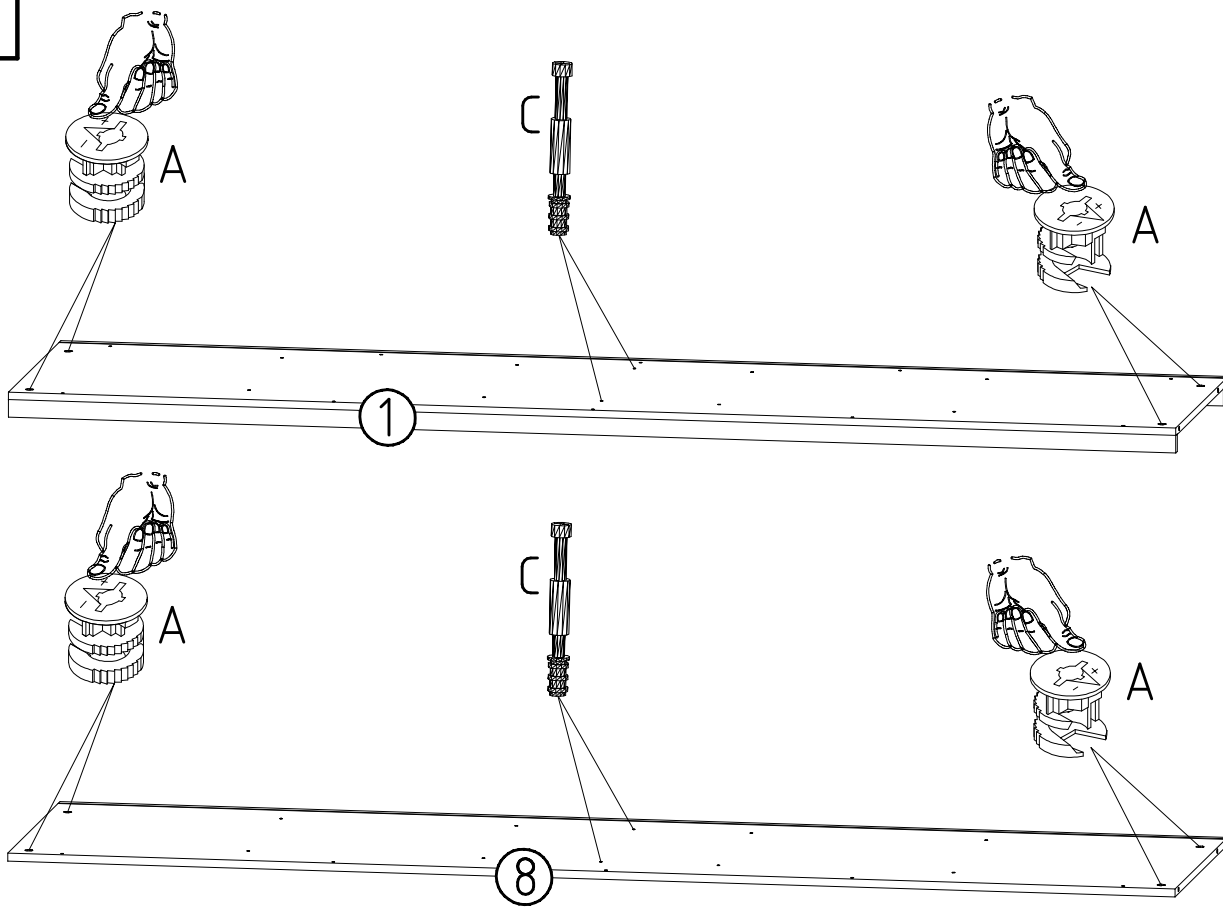
121 122



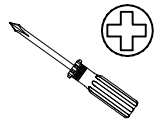
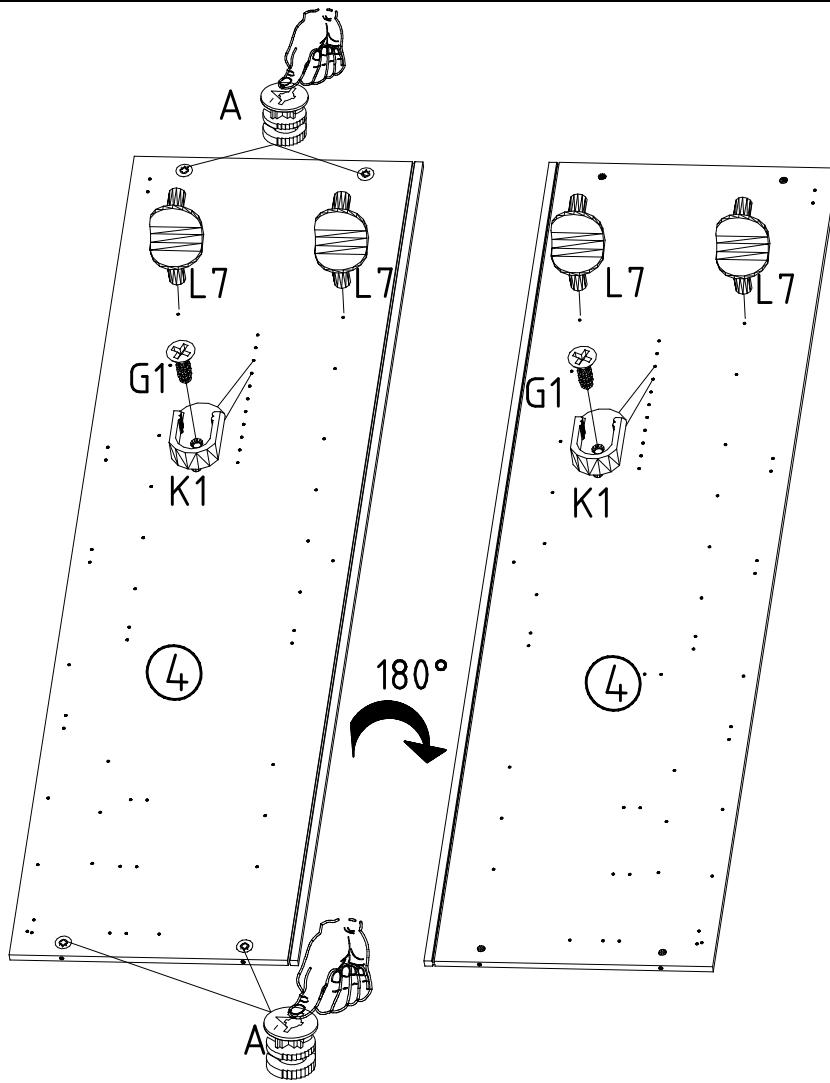
7



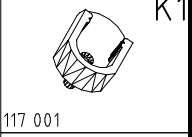
8



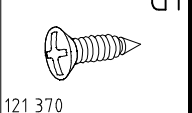
9



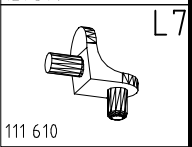
111 102



117 001
3,5 x 15 mm

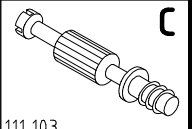
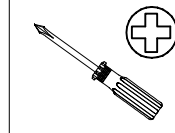
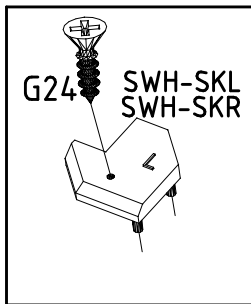


121 370

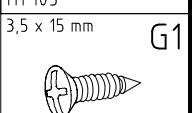


111 610

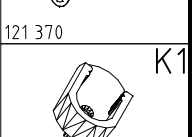
10



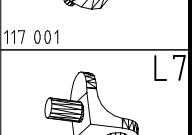
111 103



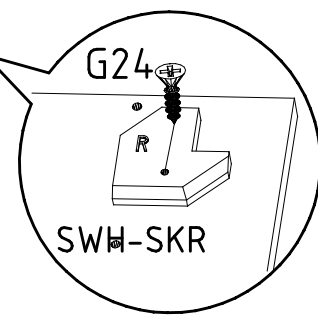
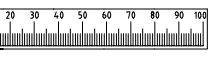
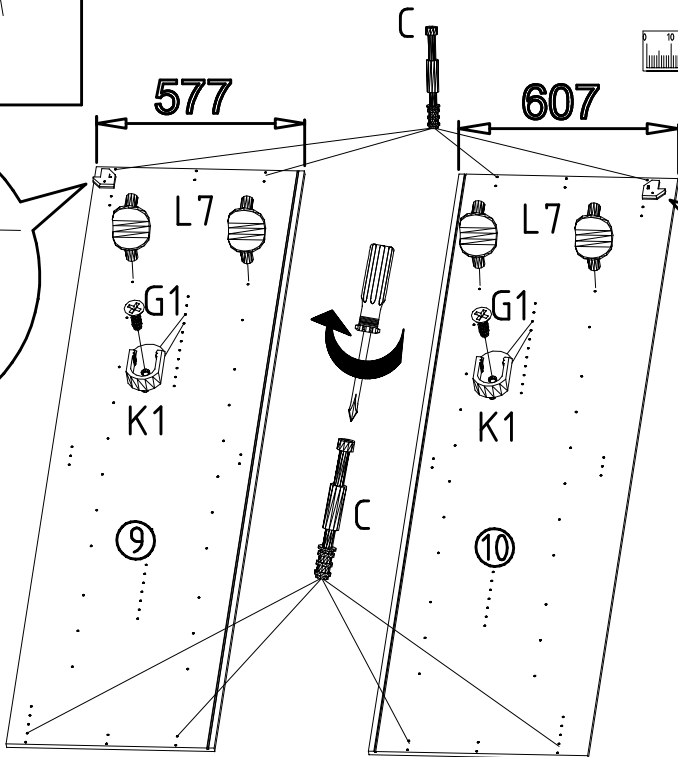
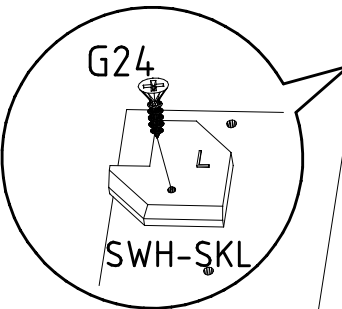
121 370



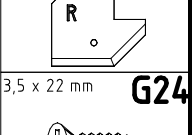
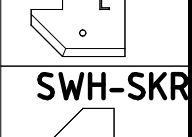
117 001



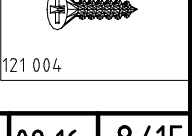
111 610



111 610

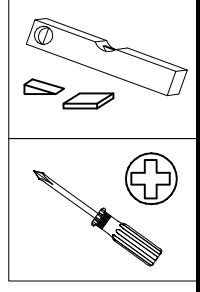
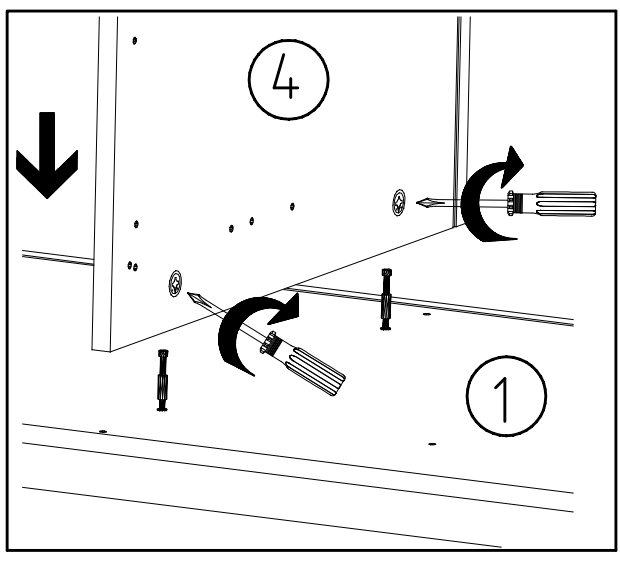
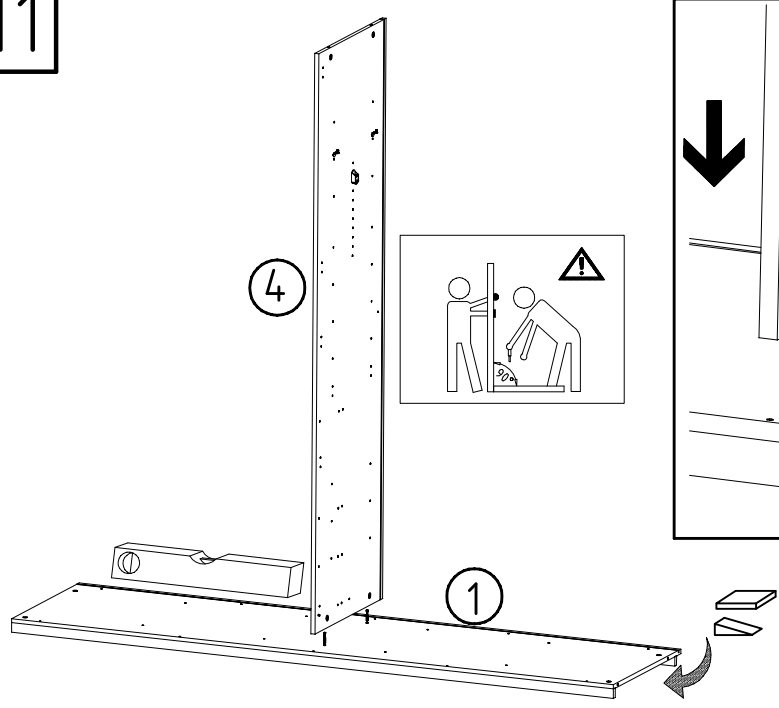


3,5 x 22 mm

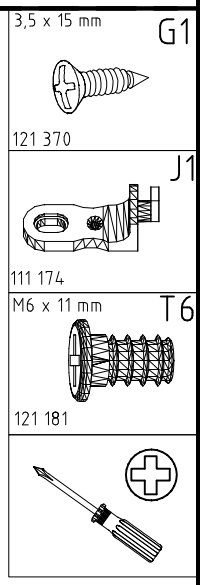
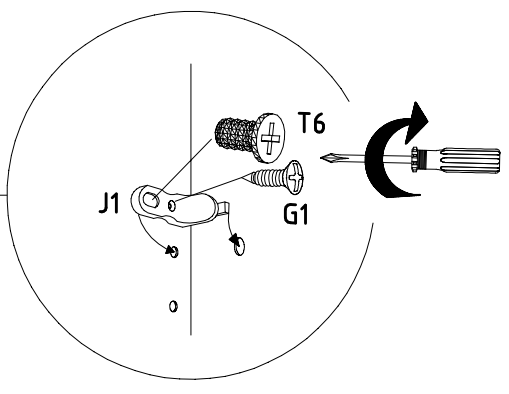
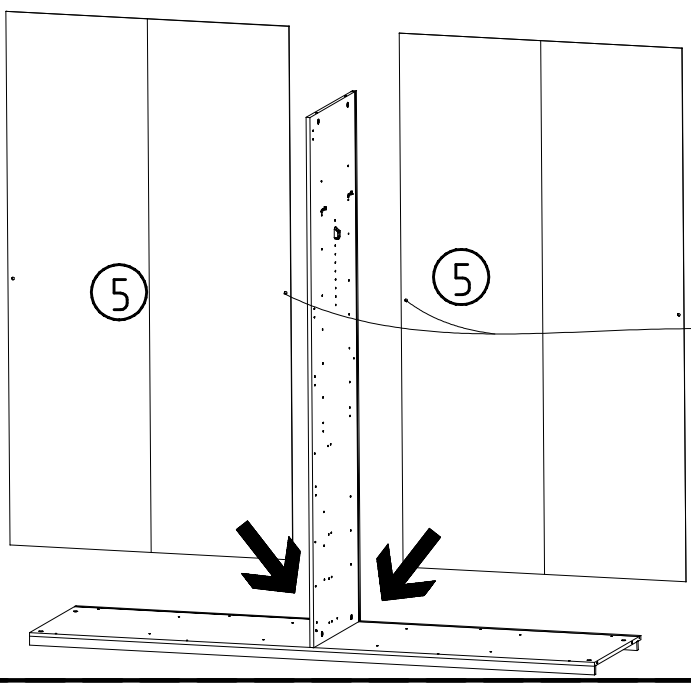


121 004

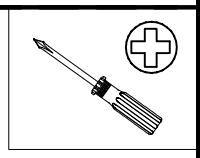
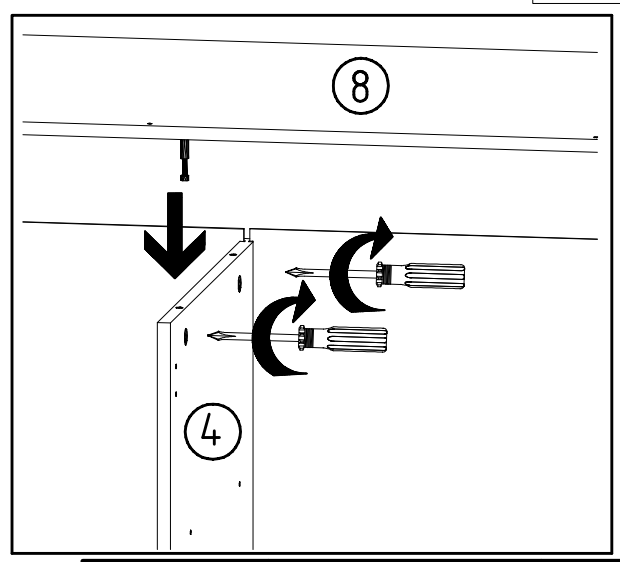
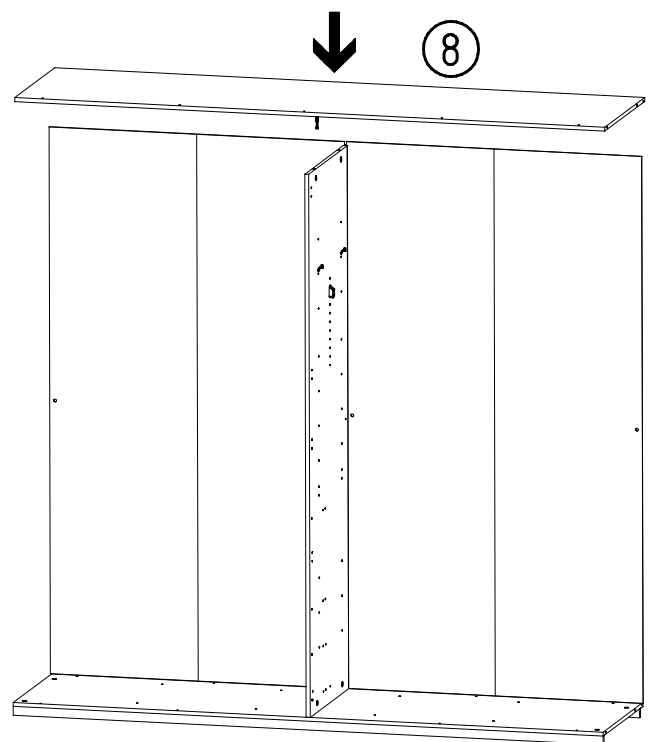
11



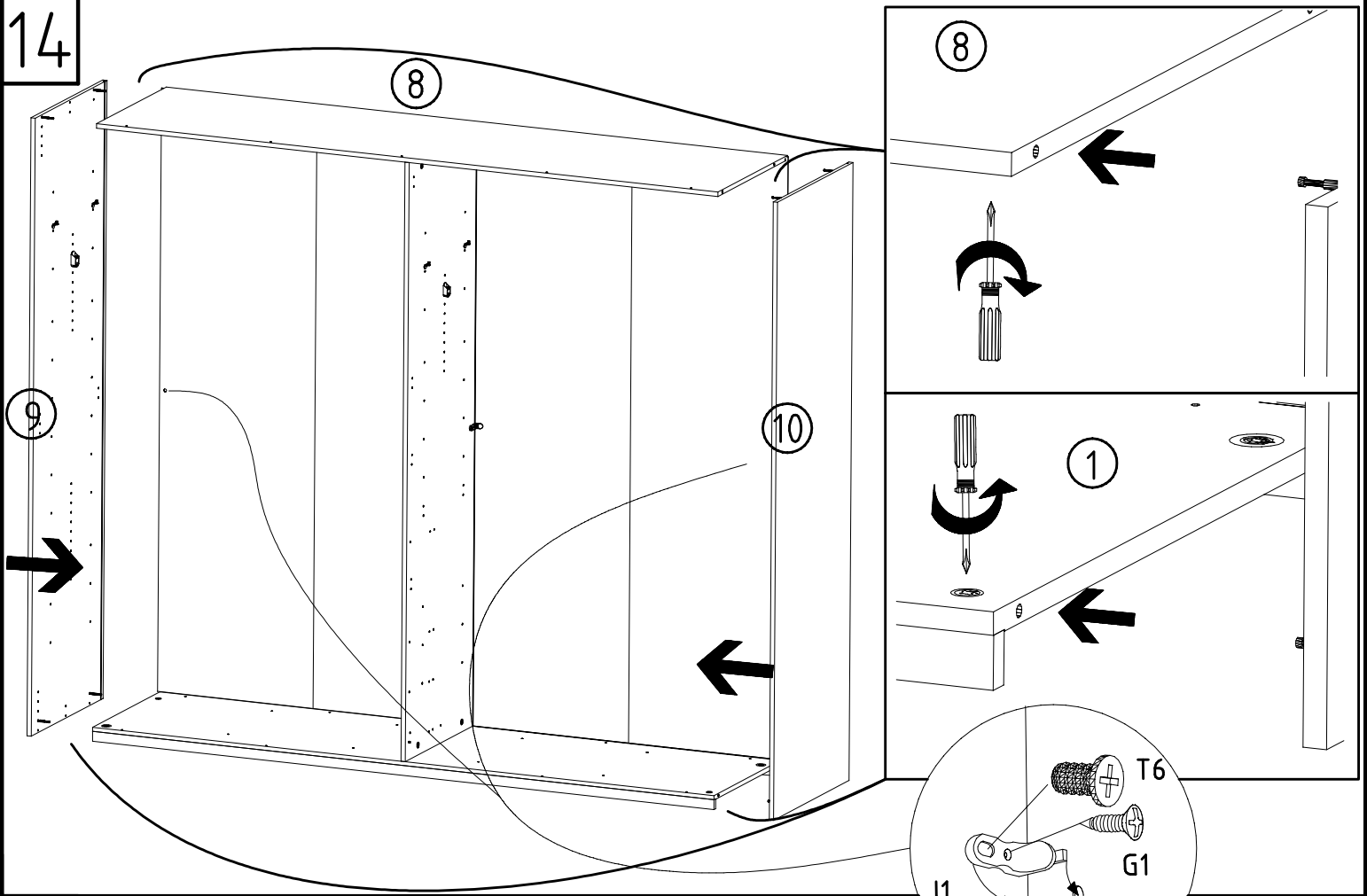
12



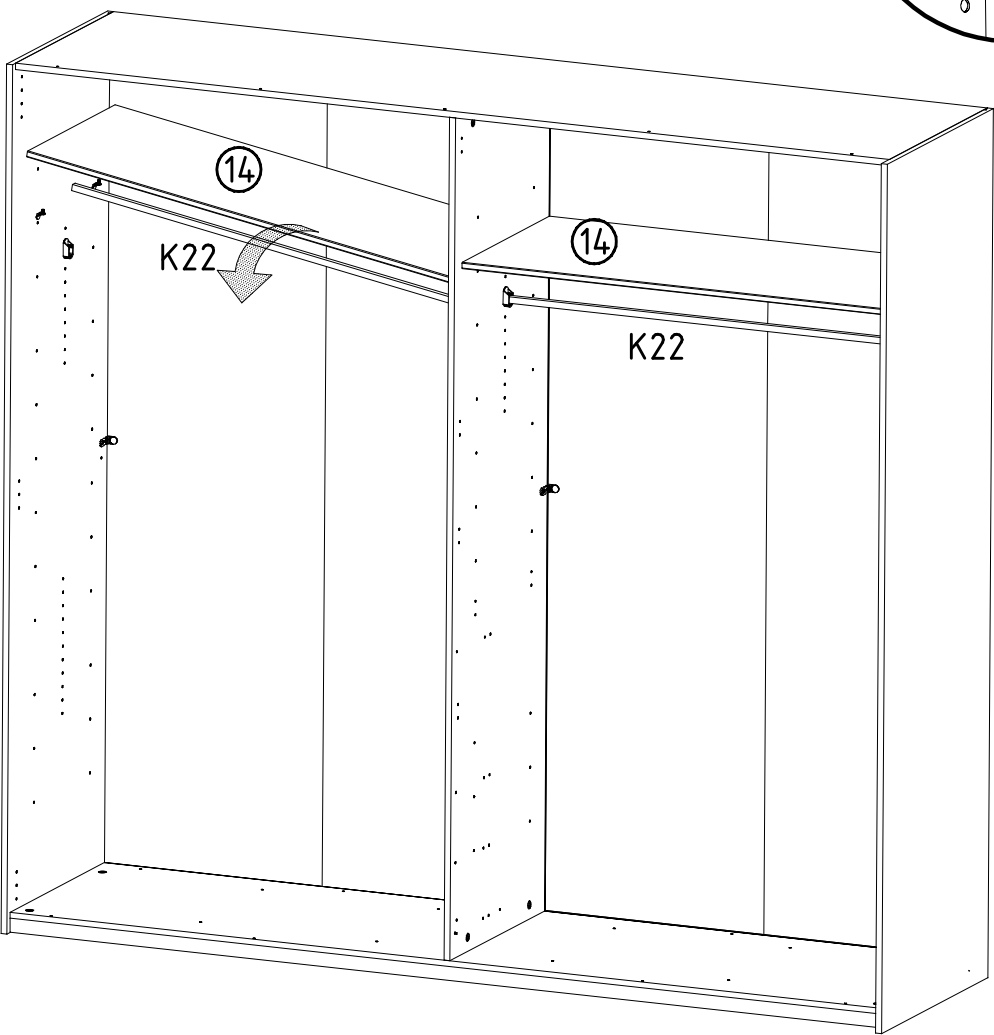
13



14

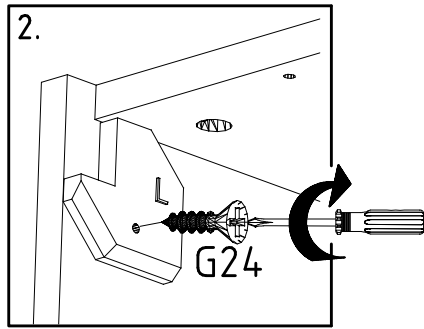
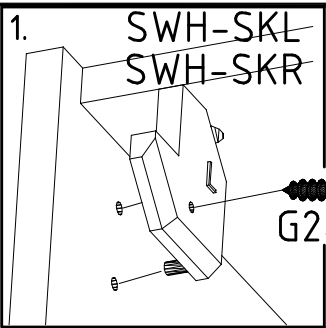


15

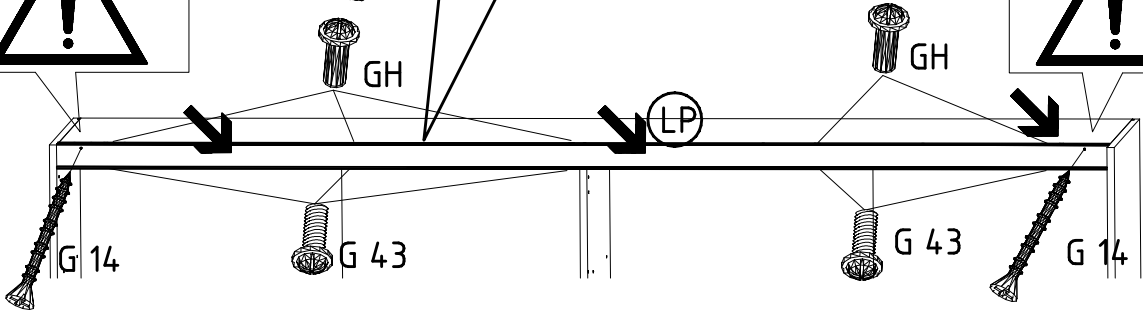
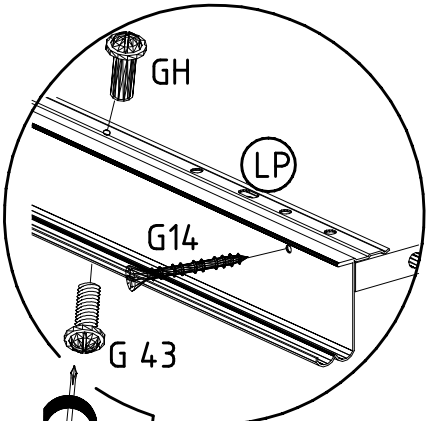
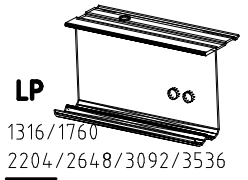
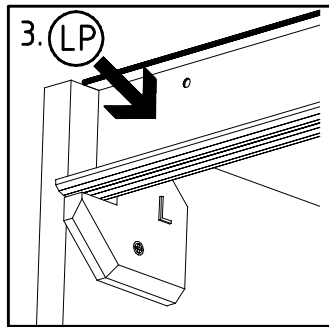


| |
|---------|
| K22 |
| 1088mm |
| 112 404 |

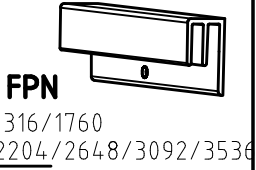
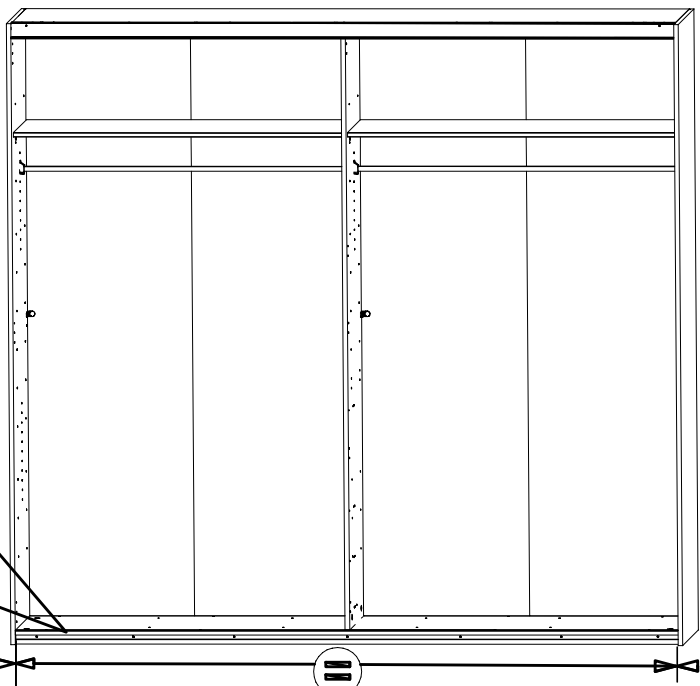
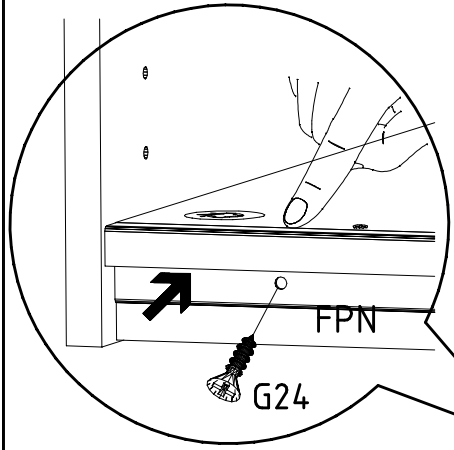
16



| | | |
|--------------------------------------|-------------------------------------|--------------------------------------|
| 3,5 x 35 mm G14 121 375 | M4 x 10 mm G43 121 xxx | M4 x 13 mm GH13 121 xxx |
|--------------------------------------|-------------------------------------|--------------------------------------|

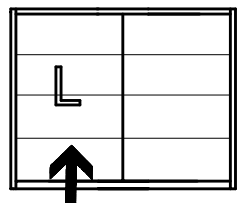
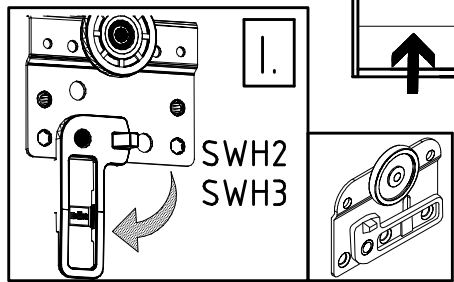


17

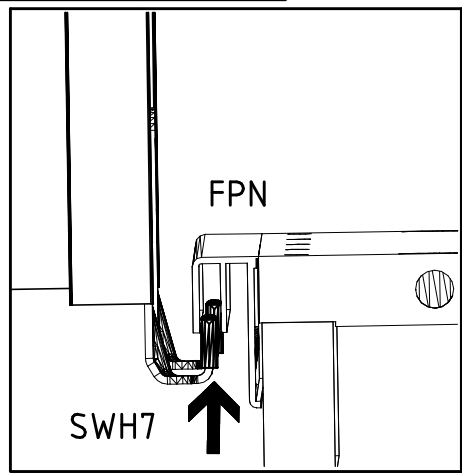


| |
|--------------------------------------|
| 3,5 x 22 mm G24 121 004 |
|--------------------------------------|

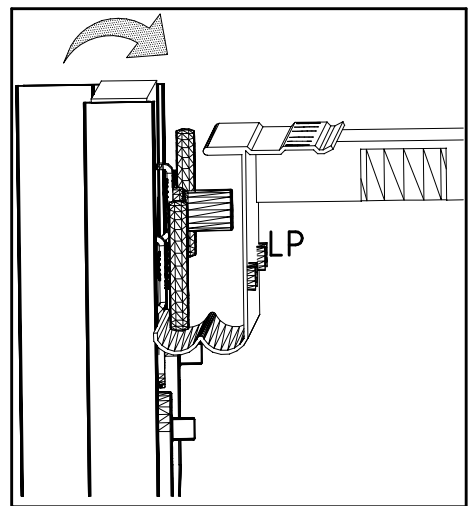
18



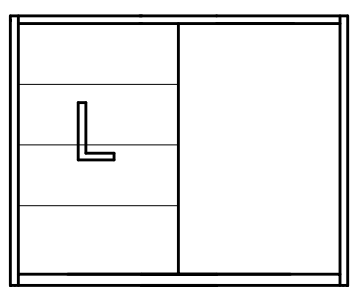
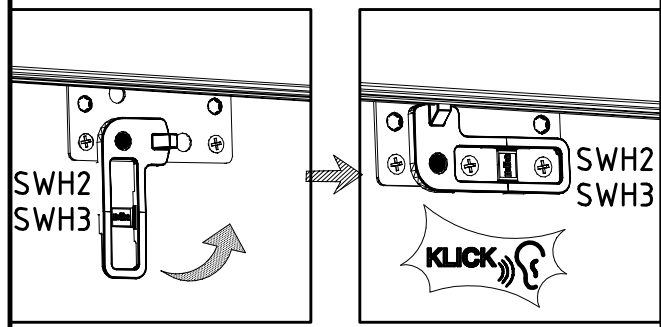
II.



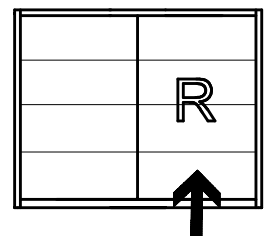
III.



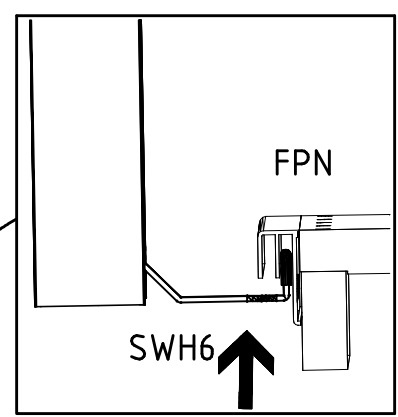
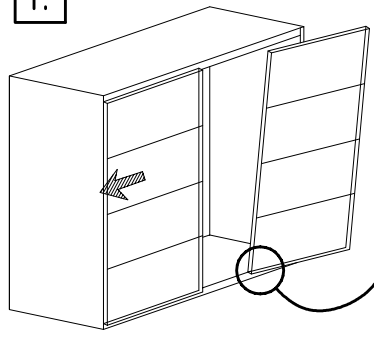
IV.



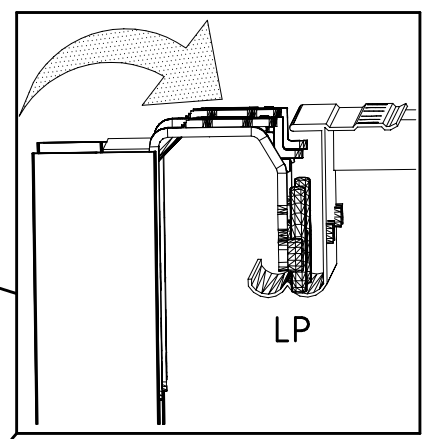
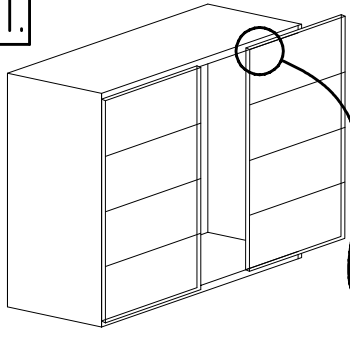
19



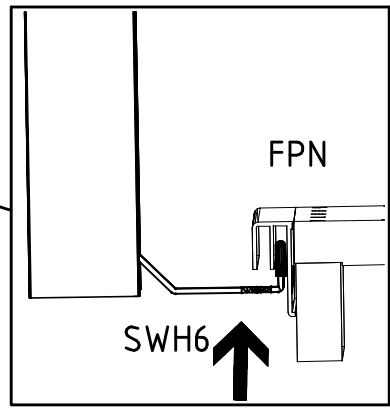
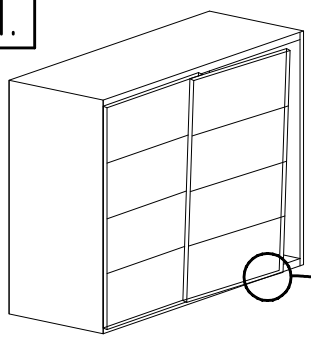
I.



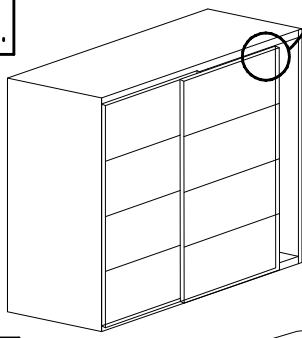
II.



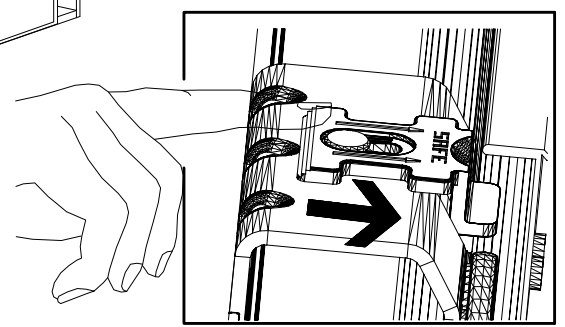
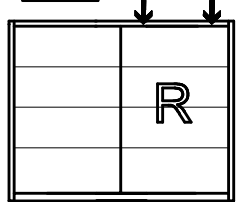
III.

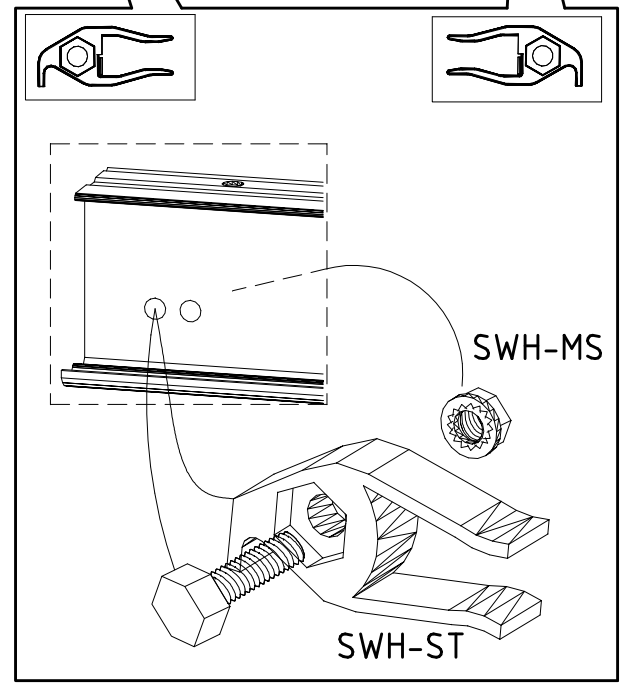
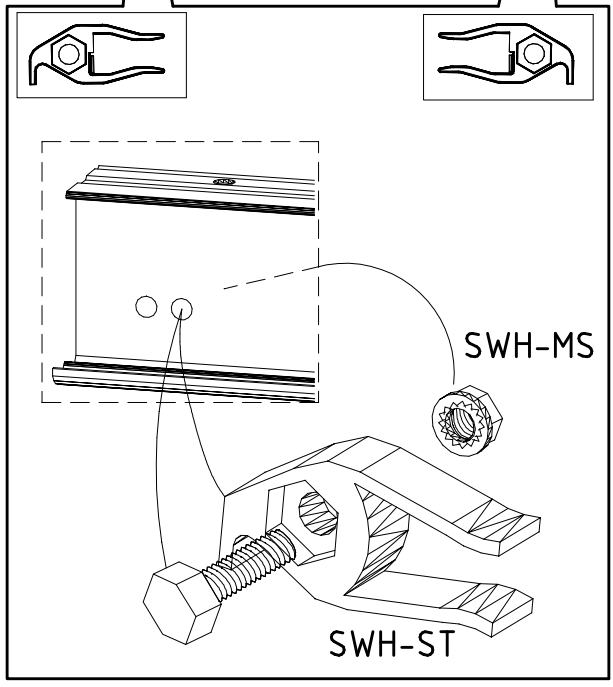
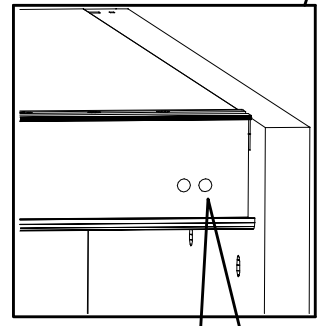
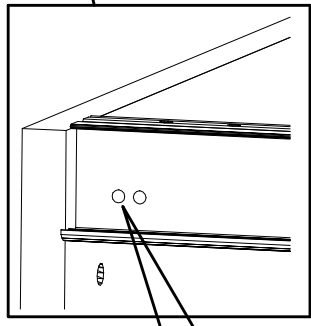
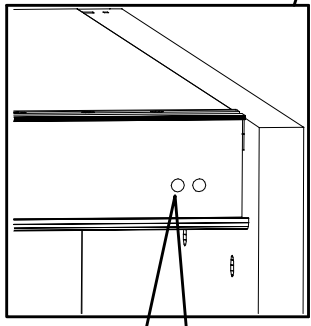
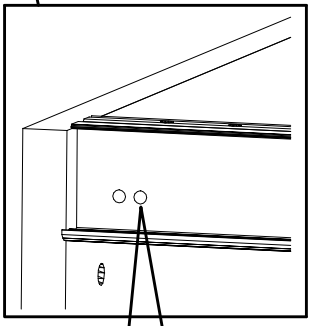
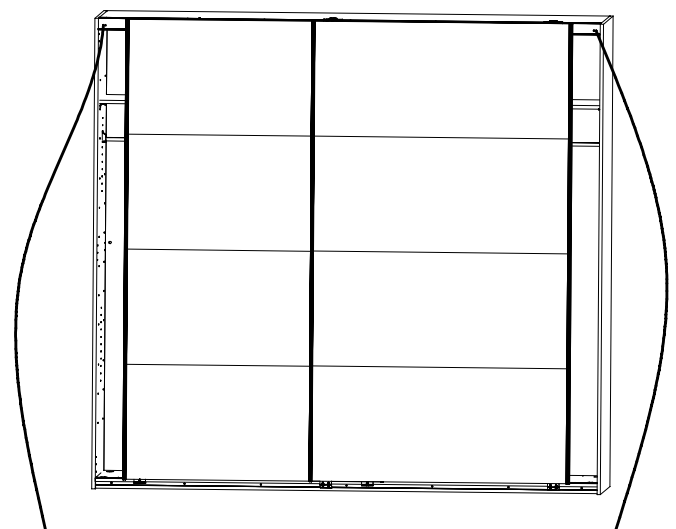
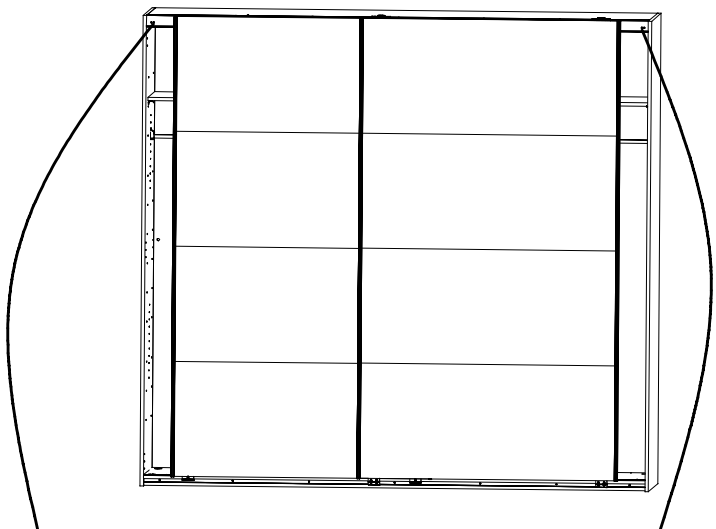
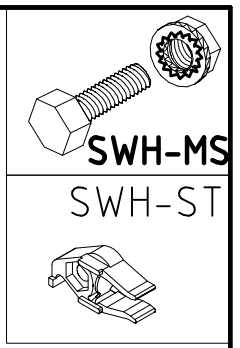
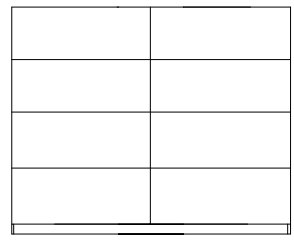
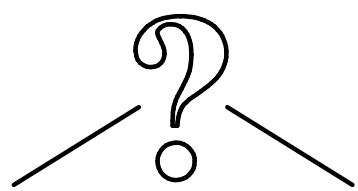
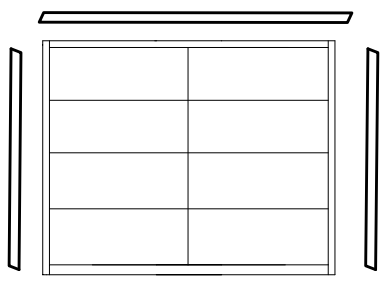


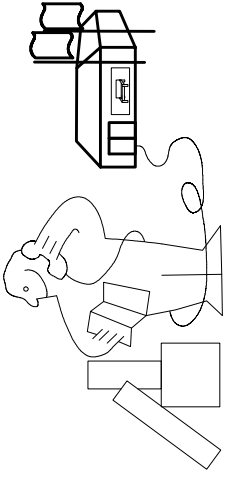
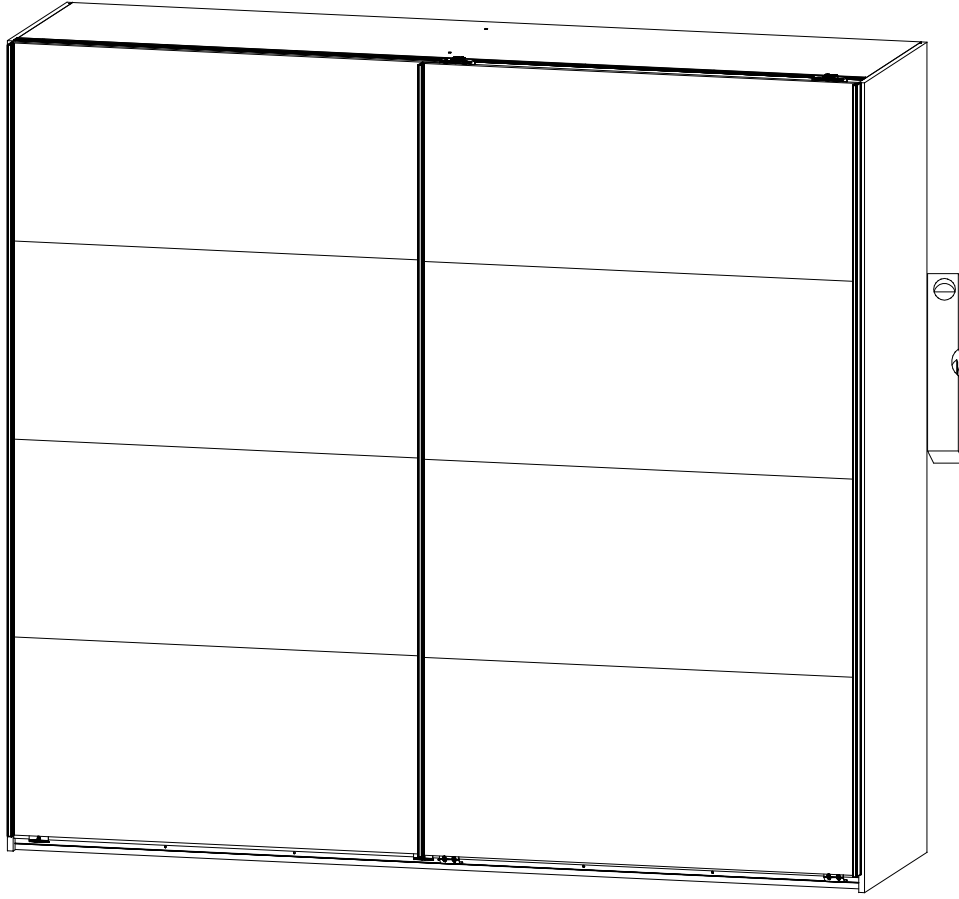
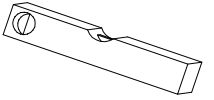
IV.



V.



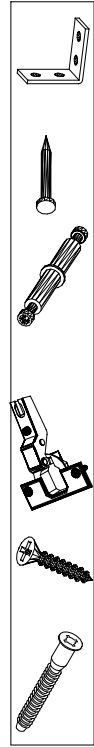




Modell/Model/Modèle

5.

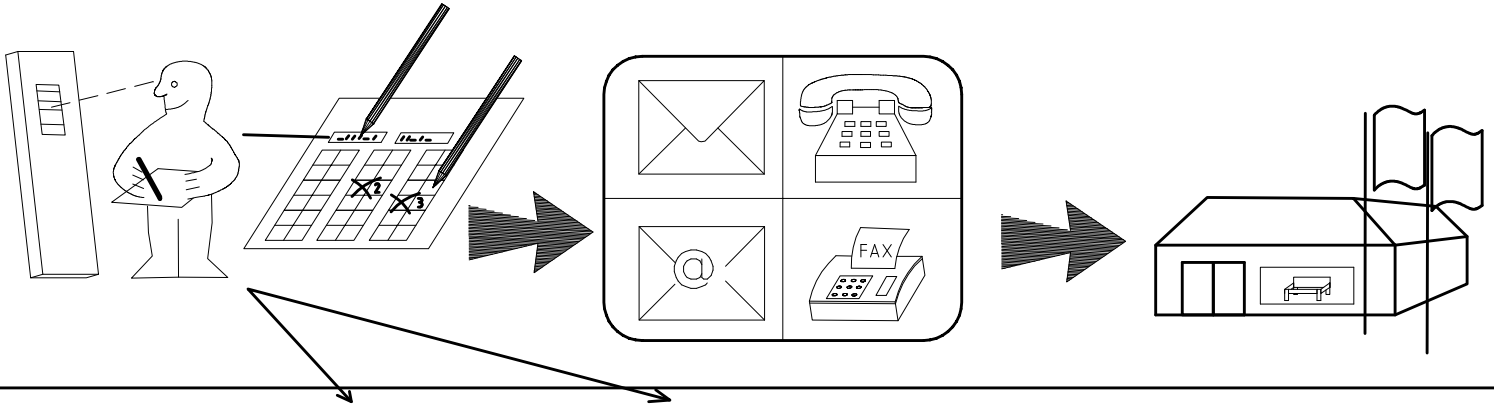
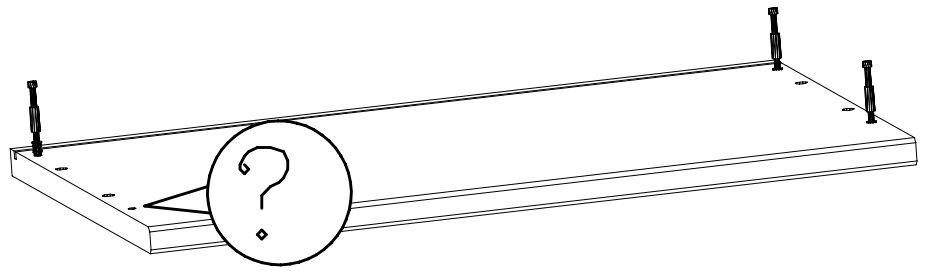
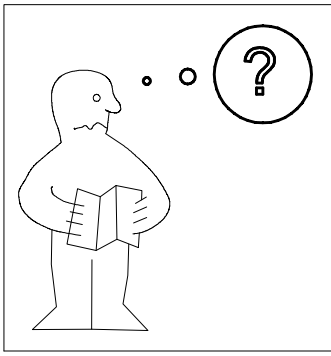
Illustrations of a person reading a manual, a person using a pencil to mark a cabinet, and a person using a pencil to mark a box. Below these are several horizontal lines for writing.



| | | |
|-----------|---------|------|
| (121 370) | (G 1) | (4x) |
| | | |
| | | |
| | | |
| | | |

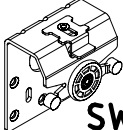
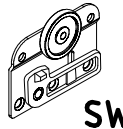
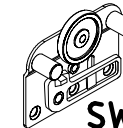
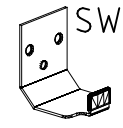
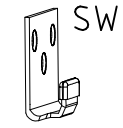

Änderungen die dem technischen Fortschritt geschuldet sind, behalten wir uns vor!
 Bei nicht vorschriftsmäßiger und/ oder nicht fachmännischer Montage wird bei Personen- und/ oder Sachschäden keinerlei Haftung übernommen.


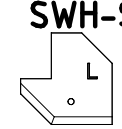
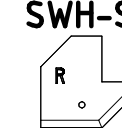
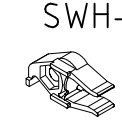
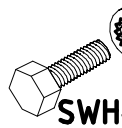
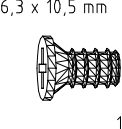
made by
 WIMEX Wohnbedarf/ Import Export Handels GmbH/ Postfach 14.07/ 49112 Georgsmarienhütte/ Germany

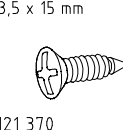
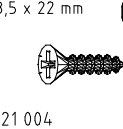

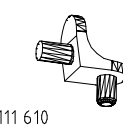
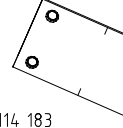
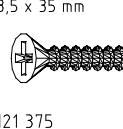


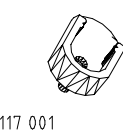
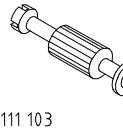
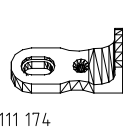
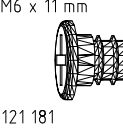
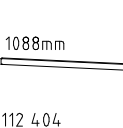
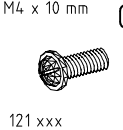

Auftrag/Order-No
No. de Commande

Kunde/Customer
Client

| | |
|---|--|
|  SWH1 | |
|  SWH2 | |
|  SWH3 | |
|  SWH 6 | |
|  SWH 7 | |
|  SP13 4 X 13mm 121 122 | |

| | |
|--|--|
|  SWH-D | |
|  SWH-SKL | |
|  SWH-SKR | |
|  SWH-ST | |
|  SWH-MS 6,3 x 10,5 mm 111 030 | |
|  T2 | |

| | |
|---|--|
|  3,5 x 15 mm G1 121 370 | |
|  3,5 x 22 mm G24 121 004 | |
|  A 111 102 | |
|  L7 111 610 | |
|  H5 114 183 | |
|  3,5 x 35 mm G14 121 375 | |

| | |
|---|--|
|  K1 117 001 | |
|  C 111 103 | |
|  J1 111 174 | |
|  M6 x 11 mm T6 121 181 | |
|  K22 1088mm 112 404 | |
|  M4 x 10 mm G43 121 xxx | |
|  M4 x 13 mm GH13 121 xxx | |

